

Ill. No.	Part No.	Description	Qty. Rqd.
----------	----------	-------------	-----------

HEATING AND AIR CONDITIONING

REMARKS LEGEND -

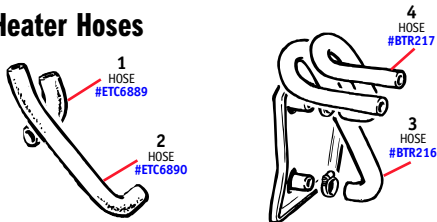
Engine (e) numbers:

31D = 3.5 liter; 38D = 3.9 liter through 1992;
36D = 3.9 liter from 1993;
40D = 4.2 liter.

Vehicle i.d. (v) numbers:

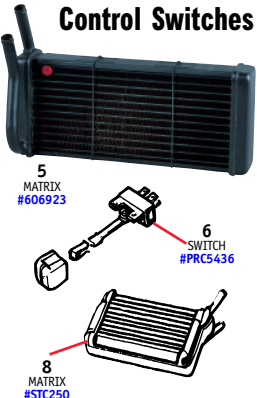
JA = 1988 model year; KA = 1989 model year;
LA = 1990 model year; NA = 1992 model year;
RA = 1994 model year; SA = 1995 model year.

Heater Hoses



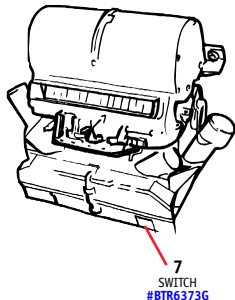
- | | | | |
|---|---------|--|---|
| 1 | ETC6889 | HOSE, heater, return to engine | 1 |
| 2 | ETC6890 | HOSE, heater, supply from engine
Up to (v) RA647649 | 1 |
| 3 | BTR216 | HOSE, heater, inlet
From (v) LA435004 on | 1 |
| 4 | BTR217 | HOSE, heater, outlet
From (v) LA435004 on | 1 |

Heater Units & Control Switches



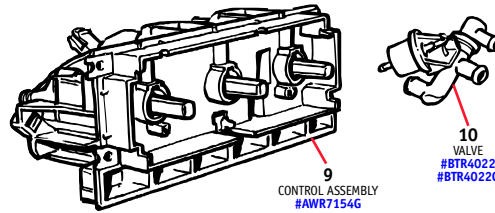
- | | | | |
|---|----------|---|---|
| 5 | 606923 | MATRIX, heater unit
Up to (v) JA344071 | 1 |
| 6 | PRC5436 | SWITCH, heater unit, 3 position type
Up to (v) JA351032 | 1 |
| | PRC5436 | SWITCH, heater unit, 4 position type
From (v) KA351033 to RA647649 | 1 |
| 7 | BTR6373G | HEATER ASSEMBLY
From (v) RA633031 to RA647649 | 1 |
| 8 | STC250 | MATRIX, heater unit
From (v) JA344072 to RA647649 | 1 |

Heater Assembly



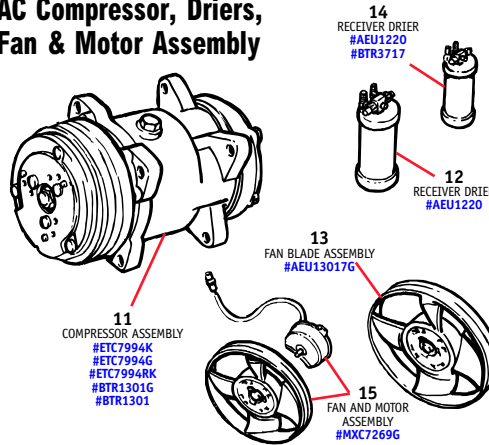
Ill. No.	Part No.	Description	Qty. Rqd.
----------	----------	-------------	-----------

Heater Control Assembly & Valve



- | | | | |
|----|----------|---|------|
| 9 | AWR7154G | CONTROL ASSEMBLY, heating system
From (v) SA647650 on | 1 |
| 10 | BTR4022 | VALVE, heater, water control
From (v) SA647650 until deletion of valve | 1 |
| | BTR4022G | VALVE, heater, water control
From (v) SA647650 until deletion of valve | *NLA |

AC Compressor, Driers, Fan & Motor Assembly

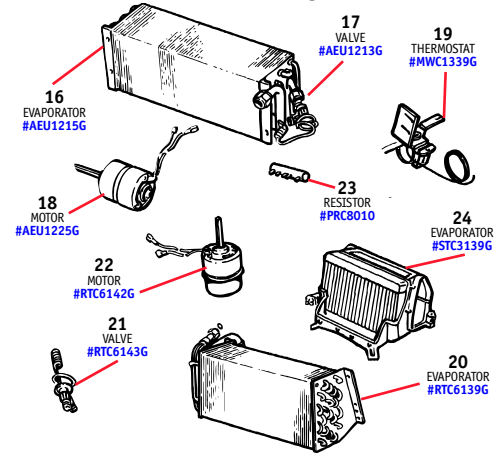


- | | | | |
|----|-----------|--|------|
| 11 | ETC7994K | COMPRESSOR ASSY, air cond., reconditioned
(e) 31D; up to (e) 38D20386A and 36D12271A | 1 |
| | ETC7994G | COMPRESSOR ASSY, air conditioning, genuine
(e) 31D; up to (e) 38D20386A and 36D12271A | 1 |
| | ETC7994RK | REBUILD KIT, air conditioning compressor
(e) 31D; up to (e) 38D20386A and 36D12271A | 1 |
| | BTR1301G | COMPRESSOR ASSY, air conditioning, genuine
From (e) 38D 20387A and 36D12272A on; 40D | 1 |
| | BTR1301 | COMPRESSOR ASSY, air conditioning
From (e) 38D 20387A and 36D12272A on; 40D | 1 |
| 12 | AEU1220 | RECEIVER DRIER, air conditioning
Up to (v) KA399972 | 1 |
| 13 | AEU3071G | FAN BLADE ASSEMBLY, air conditioning
Up to (v) KA399972 | 1 |
| 14 | AEU1220 | RECEIVER DRIER, air conditioning
Up to (v) NA617613 | 1 |
| | BTR3717 | RECEIVER DRIER, air conditioning
From (v) NA617614 to RA647649 | 1 |
| | BTR3717G | RECEIVER DRIER, air conditioning, genuine
From (v) NA617614 to RA647649 | *NLA |
| 15 | MXC7269G | FAN AND MOTOR ASSY, air conditioning
From (v) NA610294 to NA617613 | 1 |

*NLA = No Longer Available

Ill. No.	Part No.	Description	Qty. Rqd.
----------	----------	-------------	-----------

AC Valves & Evaporators



- | | | | |
|----|----------|---|---|
| 16 | AEU1215G | EVAPORATOR, air conditioning
Up to (v) JA351032 | 1 |
| 17 | AEU1213G | VALVE, expansion, evaporator
Up to (v) JA351032 | 1 |
| 18 | AEU1225G | MOTOR, air conditioning blower
Up to (v) JA351032 | 1 |
| 19 | MWC1339G | THERMOSTAT, air conditioning
Up to (v) JA351032 | 1 |
| 20 | RTC6139G | EVAPORATOR, air conditioning
From (v) KA351033 to RA647649 | 1 |
| 21 | RTC6143G | VALVE, expansion, evaporator
From (v) KA351033 to RA647649 | 1 |
| 22 | RTC6142G | MOTOR, air conditioning blower
From (v) KA351033 to RA647649 | 2 |
| 23 | PRC8010 | RESISTOR, blower motors
From (v) LA399973 to RA647649 | 1 |
| 24 | STC3139G | EVAPORATOR, air conditioning
From (v) SA647650 on | 1 |

TECH TIP: Re-charging Your A/C



Is your air conditioning system lacking cool air? You're probably in need of a refrigerant recharge. These recharge kits convert your Classic from expensive R-12 refrigerant to more cost-effective and environmentally-friendly R134a refrigerant.



Range Rover Classic '87-'92 R12 to R134a A/C Conversion Kit (134AA)

Range Rover Classic '93-'94 R12 to R134a A/C Conversion Kit (134AB)



TO ORDER, CALL **1-800-533-2210**