

| Ill. No. | Part No. | Description | Qty. Rqd. |
|----------|----------|-------------|-----------|
|----------|----------|-------------|-----------|

FRONT AXLE AND DRIVE SHAFTS

REMARKS LEGEND -

Axle (a) numbers:

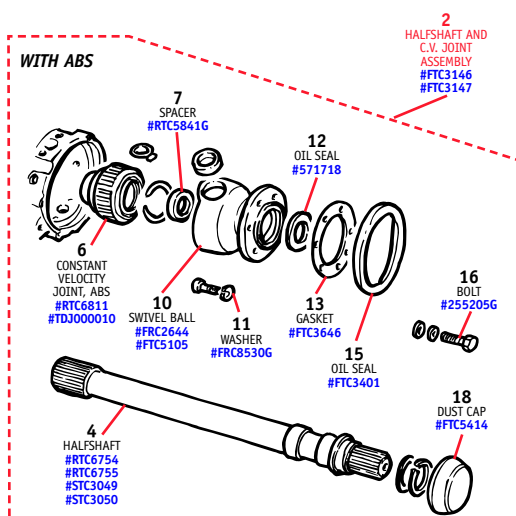
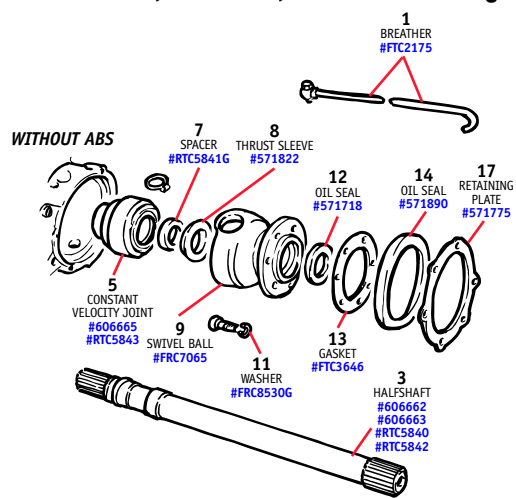
Suffix A = 1987 to 1988 model years;

Suffix B = 1988 to 1989 model years.

49L = ABS and coil springs, 1990 on;

57L = ABS and air springs, 1993 on.

C.V. Joints, Halfshaft, & Swivel Housing



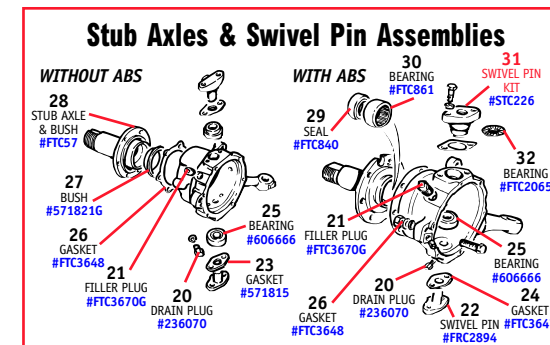
| Ill. No. | Part No. | Description | Qty. Rqd. |
|----------|----------|-------------|-----------|
|----------|----------|-------------|-----------|

| | | | |
|----|-----------|---|----|
| 1 | FTC2175 | BREATHER, axle case | 1 |
| 2 | FTC3146 | HALFSHAFT AND C.V. JOINT ASSY, RH From (a) 49L11364C, 57L05189B on | 1 |
| | FTC3147 | HALFSHAFT AND C.V. JOINT ASSY, LH From (a) 49L11364C, 57L05189B on | 1 |
| 3 | 606662 | HALFSHAFT, front RH, non-ABS (a) Suffix A axles | 1 |
| | 606663 | HALFSHAFT, front LH, non-ABS (a) Suffix A axles | 1 |
| | RTC5840 | HALFSHAFT, front RH, non-ABS (a) Suffix B axles | 1 |
| | RTC5842 | HALFSHAFT, front LH, non-ABS (a) Suffix B axles | 1 |
| 4 | RTC6754 | HALFSHAFT, front RH, ABS Up to (a) 49L11363C, 57L05188B | 1 |
| | RTC6755 | HALFSHAFT, front LH, ABS Up to (a) 49L11363C, 57L05188B | 1 |
| | STC3049 | HALFSHAFT, front RH, ABS From (a) 49L11364C, 57L05189B on | 1 |
| | STC3050 | HALFSHAFT, front LH, ABS From (a) 49L11364C, 57L05189B on | 1 |
| 5 | 606665 | CONSTANT VELOCITY JOINT, non-ABS (a) Suffix A axles | 1 |
| | RTC5843 | CONSTANT VELOCITY JOINT, non-ABS (a) Suffix B axles | 1 |
| 6 | RTC6811 | CONSTANT VELOCITY JOINT, ABS Up to (a) 49L11363C, 57L05188B | 2 |
| | TDJ000010 | CONSTANT VELOCITY JOINT, ABS From (a) 49L11364C, 57L05189B on | 2 |
| 7 | RTC5841G | SPACER, halfshaft | 2 |
| 8 | 571822 | THRUST SLEEVE, halfshaft, non-ABS | 2 |
| 9 | FRC7065 | SWIVEL BALL, non-ABS | 2 |
| 10 | FRC2644 | SWIVEL BALL, chrome, ABS | 2 |
| | FTC5105 | SWIVEL BALL, black, ABS | 2 |
| 11 | FRC8530G | WASHER, swivel ball bolt | 14 |
| 12 | 571718 | OIL SEAL, small, swivel ball | 2 |
| 13 | FTC3646 | GASKET, swivel ball | 2 |
| 14 | 571890 | OIL SEAL, large, swivel ball, non-ABS | 2 |
| 15 | FTC3401 | OIL SEAL, large, swivel ball, ABS | 2 |
| 16 | 255205G | BOLT, retaining plate, swivel ball | 12 |
| 17 | 571755 | RETAINING PLATE, swivel ball seal | 2 |
| 18 | FTC5414 | DUST CAP | 2 |
| | 9360 | RESEAL KIT, C.V. joint/swivel ball, non-ABS | 2 |
| | 9361 | RESEAL KIT, C.V. joint/swivel ball, ABS | 2 |

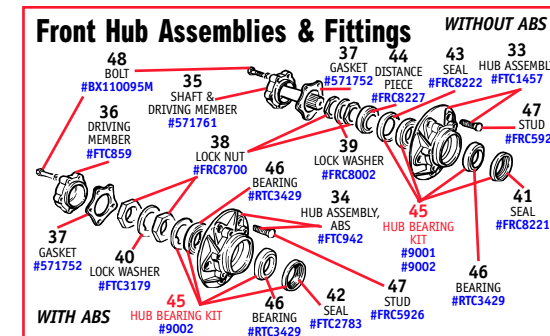


| | | | |
|----|------|---|---|
| 19 | 9362 | REPLACE-MENT KIT, C.V. joint, non-ABS (a) Suffix A axles | 2 |
| | 9363 | REPLACE-MENT KIT, C.V. joint, non-ABS (a) Suffix B axles | 2 |
| | 9364 | REPLACE-MENT KIT, C.V. joint, ABS | 2 |

| Ill. No. | Part No. | Description | Qty. Rqd. |
|----------|----------|-------------|-----------|
|----------|----------|-------------|-----------|



| | | | |
|----|----------|---|-----|
| 20 | 236070 | DRAIN PLUG, swivel housing | 2 |
| 21 | FTC3670G | FILLER PLUG, swivel housing | 2 |
| 22 | FRC2894 | SWIVEL PIN, lower, ABS | 2 |
| 23 | 571815 | GASKET, lower swivel pin, non-ABS | 2 |
| 24 | FTC3647 | GASKET, lower swivel pin, ABS | 2 |
| 25 | 606666 | BEARING, lower swivel pin | 2 |
| 26 | FTC3648 | GASKET, swivel pin housing to axle | 2 |
| 27 | 571821G | BUSH, stub axle, non-ABS (a) Suffix A axles | 2 |
| 28 | FTC57 | STUB AXLE AND BUSH, non-ABS (a) Suffix B axles | 2 |
| 29 | FTC840 | SEAL, stub axle, ABS Up to (a) 57L05188B | 2 |
| 30 | FTC861 | BEARING, stub axle, ABS | 2 |
| 31 | STC226 | SWIVEL PIN KIT, upper, ABS | 2 |
| 32 | FTC2065 | BEARING, swivel pin upper, ABS | 2 |
| | STC345 | GREASE, swivel housing, 370ml bottle | A/R |
| | STC335G | GREASE, swivel housing, 375ml tube | A/R |



| | | | |
|----|-----------|--|----|
| 33 | FTC1457 | HUB ASSEMBLY, non-ABS Includes studs; without bearings or seals | 2 |
| 34 | FTC942 | HUB ASSEMBLY, ABS Includes studs; without bearings or seals | 2 |
| 35 | 571761 | SHAFT AND DRIVING MEMBER, non-ABS | 2 |
| 36 | FTC859 | DRIVING MEMBER, ABS | 2 |
| 37 | 571752 | GASKET, drive member | 2 |
| 38 | FRC8700 | LOCK NUT, hub | 4 |
| 39 | FRC8002 | LOCK WASHER, hub, non-ABS | 2 |
| 40 | FTC3179 | LOCK WASHER, hub, ABS | 2 |
| 41 | FRC8221 | SEAL, inner, non-ABS | 2 |
| 42 | FTC2783 | SEAL, inner, ABS | 2 |
| 43 | FRC8222 | SEAL, outer, non-ABS | 2 |
| 44 | FRC8227 | DISTANCE PIECE, non-ABS | 2 |
| 45 | 9001 | HUB BEARING KIT, non-ABS | 2 |
| | 9002 | HUB BEARING KIT, ABS | 2 |
| 46 | RTC3429 | BEARING, hub | 4 |
| 47 | FRC5926 | STUD, hub | 10 |
| 48 | BX110095M | BOLT, axle to hub | 10 |

Front Axle & Drive Shafts



TO ORDER, CALL 1-800-533-2210