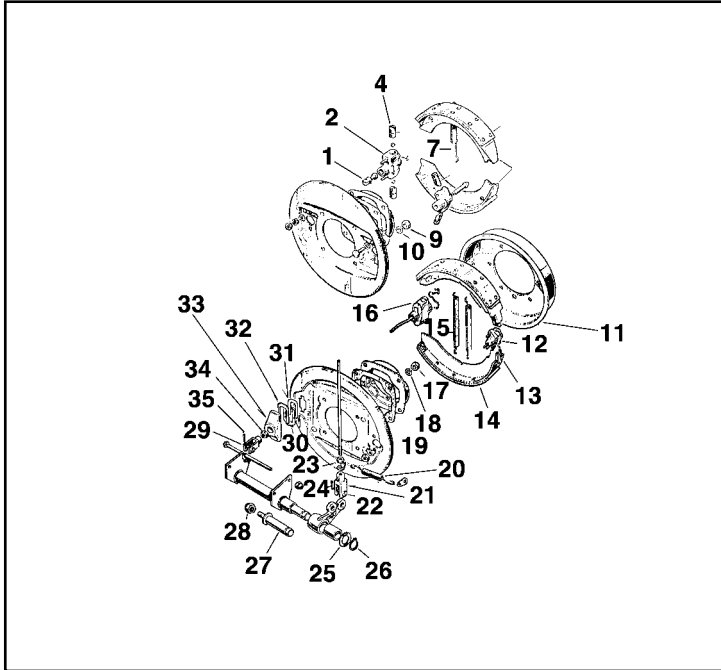


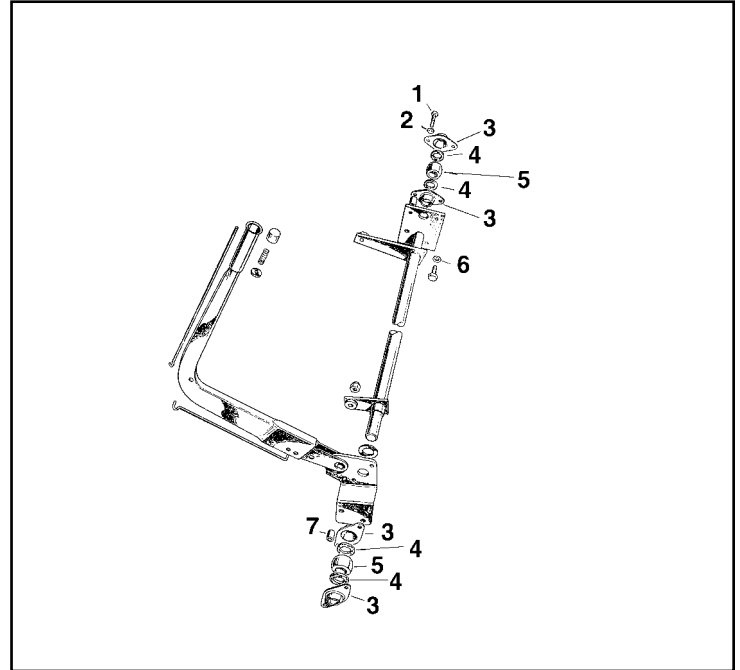
Transmission & Hand Brake



TRANSMISSION BRAKE

Ref #	Description	Qty	Part #
1	Expander Core	1	1374
2	Expander Housing	1	449
4	Plunger, for Expander	2	1373
7	Brake Spring	2	5172
9	Nut	4	1305
10	Spring Washer	4	3096
11	Brake Drum, Transmission Brake	1	1561
12	Adjuster Unit	1	5663
13	Brake Shoes, Pair, Bonded	1	5827
14	Linings, Complete with Rivets	2	*NLA 5170
15	Brake Spring	2	5172
16	Expander Unit Assembly	1	5428
17	Nut, (3/8" BSF)	4	1305
18	Spring Washer	4	3096
19	Nut, (1/4" BSF)	2	1192
20	Return Spring, Brake Rod	1	410
21	Clevis Fork	1	6248
22	Clevis Pin, complete	1	5887
23	Lock Nut, (5/16 UNF)	3	1436
24	Split Pin	2	6871
25	Washer	1	5009
26	Circlip	1	570
27	Shaft, for Relay Lever	1	5008
28	Nut, (3/8" UNF)	1	5005
29	Clevis, Complete	1	6220
30	Locking Plate	1	6589
31	Retaining Spring	1	6590
32	Packing Plate	1	6588
33	Dust Cover	1	5879
35	Split Pin	1	6871

*NLA = No longer available.



HAND BRAKE LEVER

Ref #	Description	Qty	Part #
1	Set Bolt, (5/16" x 7/8)	2	1510
2	Spring Washer	4	5690
3	Housing, Cross Shaft Bearing	4	6431
4	Felt Ring for Bearing	4	476
5	Spherical Bearing for Cross Shaft	2	827
6	Spring Washer	4	3096
7	Distance Piece	2	*NLA 1642
not shown	Rubber Boot, Parking Brake Lever (rectangular Hole)	1	6356

*NLA = No longer available.