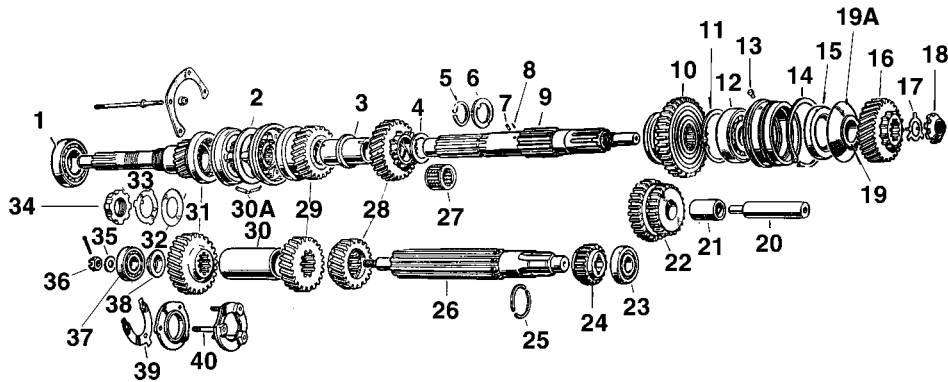


Transmission



TRANSMISSION COMPONENTS, SERIES I, II, IIA

Ref #	Description	Qty	Part #	Ref #	Description	Qty	Part #
1	Bearing, Primary Pinion	1	287	24	1st Speed Layshaft Gear, Suffix "C" on	1	6135
2	Synchronizing Clutch, 3rd & 4th Gear	1	6021	25	Split Ring, Through Suffix "C"	1	492
3	Distance Sleeve	1	1179	26	Layshaft, Suffix "A"	1	6116
4	Thrust Washer, .125	as required	6230	26	Layshaft, Suffix "B & C"	1	6140
4	Thrust Washer, .128	as required	6231	26	Layshaft, Suffix "D" on	1	6145
4	Thrust Washer, .130	as required	6232	27	Bearing, Front of Main Shaft	1	180
4	Thrust Washer, .135	as required	6233	28	2nd Speed Layshaft & Mainshaft Gear to Suffix "C"	1	6239
5	Spring Ring	1	561	28	2nd Speed Layshaft & Mainshaft Gear, Suffix "D" on	1	6147
6	Thrust Washer, .125	as required	557	29	3rd Speed Layshaft & Mainshaft Gear	1	6240
6	Thrust Washer, .128	as required	*NLA 558	not shown	Thrust Washer for Third Speed .135	1	560
6	Thrust Washer, .130	as required	559	30	Sleeve for Layshaft	1	5175
6	Thrust Washer, .135	as required	560	30A	Detent Spring	3	564
7	Peg	1	460	31	Primary Pinion & Constant Gear up to "B"	1	*NLA 6242
8	Peg	1	615	31	Primary Pinion & Constant Gear from "C" on	1	6245
9	Main Shaft	1	6241	32	Shield for Primary Pinion	1	*NLA 2092
10	1st Speed Mainshaft Gear	1	6234	33	Locker	1	550
10	1st Speed Mainshaft Gear, Suffix "C" on	1	6136	34	Locknut	1	4048
11	Circlip	1	1411	35	Washer, Front of Layshaft, Suffix "A"	1	4038
12	Bearing, Rear - Mainshaft	1	396	35	Washer, Front of Layshaft, Suffix "B" on	1	5595
	Peg housing to casing	1	461	36	Nut, Front of Layshaft, Suffix "A"	1	1294
14	Circlip	1	*NLA 1296	36	Nut, Front of Layshaft, Suffix "B" on	1	5594
15	Oil Seal, Rear Mainshaft	1	12	37	Bearing, Front Layshaft, Suffix "A"	1	288
16	Mainshaft Gear for Transfer Box	1	6519	37	Bearing, Front Layshaft, Suffix "B"	1	5537
17	Locker	1	565	38	Distance Piece, .332, Suffix "A"	1	6436
18	Nut	1	*NLA 1849	38	Distance Piece, .352, Suffix "A"	1	6437
19	Distance Piece Rear of Mainshaft	1	5321	38	Distance Piece, .405, Suffix "B"	1	6438
19A	Oil Thrower	1	1261	38	Distance Piece, .425, Suffix "B"	1	6439
20	Shaft, Reverse Gear, Late type	1	5575	38	Distance Piece, .445, Suffix "B"	1	6141
21	Bush, Reverse Wheel	1	5604	39	Locker Plate, Suffix "A"	1	563
22	Reverse Wheel Assembly, up to Suffix "B"	1	6235	39	Locker Plate, Suffix "B" on	1	5970
22	Reverse Wheel Assembly, Suffix "C" on	1	6362	40	Stud, Bearing cap	3	1341
23	Bearing, Layshaft Rear	1	289				
24	1st Speed Layshaft Gear, up to Suffix "B"	1	6125				

*NLA = No longer available.