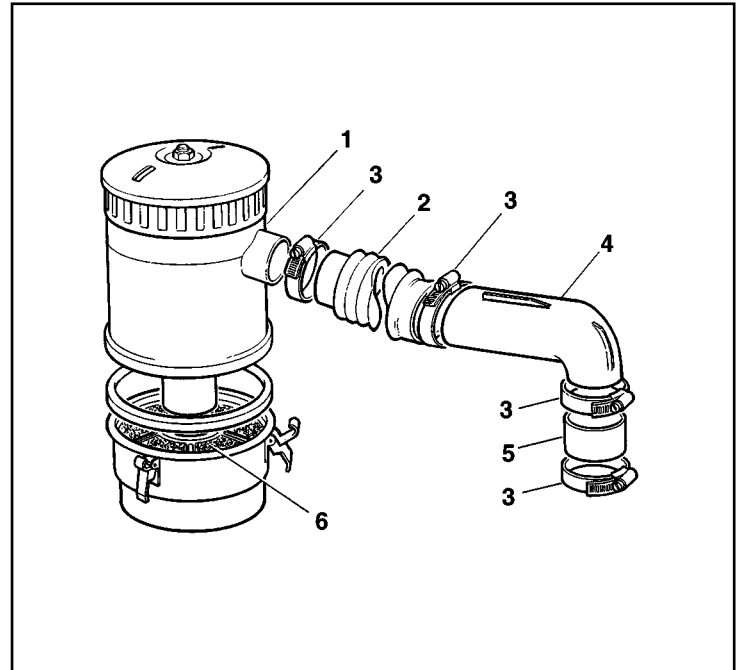


Carburetors

ACCELERATOR LINKAGE PARTS

Description	Qty	Part #
ACCELERATOR LINKAGE		
Ball End, Accelerator Lever, 2 Litre Petrol	as needed	1537
Ball End, Accelerator Lever, 2 Litre Diesel	as needed	1537
Ball End, Accelerator Lever, 2-1/4 Diesel	as needed	1537
Ball End, Cross Shaft Lever, 2-1/4 Petrol - thru "A"	as needed	1537
Ball End, Bell Crank Lever, 2-1/4 Petrol Suf. "D" on	as needed	1537
Ball End, Relay Lever, 2-1/4 Petrol thru Suf."C:	as needed	1537
Ball Joint Socket, Bell Crank to Carburetor, 2-1/4 Suf."D" on	1	1807
Ball Joint Socket, Rod from Cross Shaft to Engine 2-1/4 (58-60)	1	1807
Ball Joint Socket, Rod from Pedal Shaft to Extension Shaft, 6 cyl.	1	1807
Ball Joint Socket, All Diesel Models	as needed	1807
Ball Joint Socket, Rod Quadrant Type Hand Throttle	as needed	1807
Ball Joint Socket, Series I Accelerator Rods	as needed	749
Nut, Locking for 1807 & 749	as needed	4045
Ball Joint Socket, Rod Bell Crank to Throttle Lever, thru "C"	as needed	1198
Nut, Locking, for 1198	as needed	1192
Torsion Spring, Bell Crank 2-1/4 thru "H"	1	541
Torsion Spring, Bell Crank 2-1/4 "J" on	1	5871
Cotter Pin, Fixing Parts to Bell Crank	as needed	6871
Shaft, Accelerator Pedal	1	59
Accelerator Cabel, Diesel	1	8159
Rubber Pad, Accelerator Pedal	1	3202
Clip, Holds Rod to Lever	as needed	5836
Spindle Spacer	as needed	5830
Plain Washer	as needed	5831

Some items in this section may be available on a special order basis or phone-order only. Please call for pricing and availability.



AIR CLEANER ASSEMBLY

Ref #	Description	Qty	Part #
1	Air Filter Assembly, Oil Bath	1	2666
2	Air Hose	1	7195
3	Clamp for Air Hose	2	5453
4	Elbow Carb to Air Cleaner	1	440
5	Air Inlet Hose	1	5834
6	Element for Air Cleaner	1	411