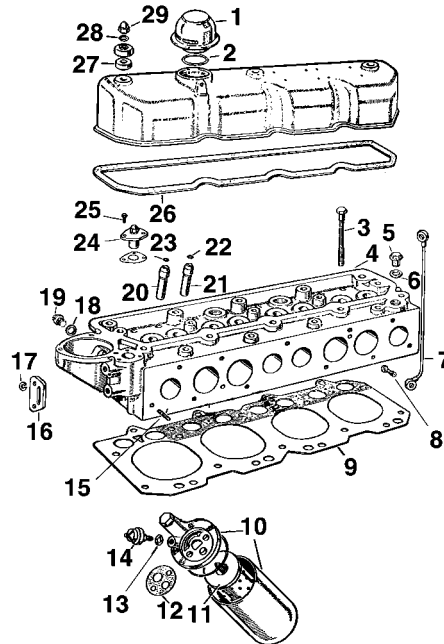


Heads



HEADS - OIL FILTER ASSEMBLY

Ref #	Description	Qty	Part #
1	Breather Filter	1	*NLA 1885
2	Sealing Ring for Filter	1	5681
3	Head Bolt (Medium)	9	80
4	Cylinder Head 8:1, 2-1/4 Petrol (new)	1	*NLA 3805
4	CYLINDER HEAD 8:1, 2-1/4 PETROL, NEW	1	3824
4	Cylinder Head 8:1 2-1/4 Petrol High Performance – New (adds 5 – 10 more horsepower at medium speed.)	1	3824HP
4	Cylinder Head, 2-1/4 Stripped, Diesel 1 3789		
5	Plug	1	1802
6	Joint Washer for 1802	1	1391
7	Oil Pipe	1	24
8	Banjo Bolt Fixing Oil Pipe	2	595478
9	Head Gasket 2-1/4 Petrol	1	5629
9	Head Gasket 2-1/4 Diesel	1	5675
9	Head Gasket 2.6 - all	1	5674
10	Engine Oil Filter	1	1301
11	Oil Filter Element IIA (After 69 & all Series III) - Includes O Ring (4 5/8") 1 3069		
11	Oil Filter Element II & IIA (6.81") includes O ring	1	150
11	Oil Filter Element II & IIA Diesel (6.81") includes O ring	1	150
11	Oil Filter Series II 2 Litre & 2.6 Litre includes O ring	1	10
12	Joint Washer for Filter Assembly	1	1300
13	Joint Washer for Switch	1	*NLA 1458
14	Oil Pressure Switch for Green Warning light on Dash	1	1958
14	Oil Pressure Switch, Series II	1	241

***NLA = No longer available.**

Ref #	Description	Qty	Part #
15	See Manifolds		
16	Lifting Bracket, Front	1	*NLA 1478
17	Spring Washer	4	5690
18	Joint Washer for part #802		1 1391
19	Temp. Sender	1	6026
20	Valve Guide, Exhaust, II, IIA & III	4	5669
20	Valve Guide, Exhaust 2-1/4 Diesel	4	6488
20	Valve Guide, Exhaust 2 Litre Petrol (53-58) & 2.6 Litre - all 4 116		
21	Valve Guide, Inlet II, IIA & III	4	5668
21	Valve Guide, Inlet 2-1/4 Diesel	4	*NLA 6487
21	Valve Guide, Inlet (48-51), (53-58)	4	3888
21	Valve Guide, Inlet 2.6 European	4	115
22	Seal, Inlet Valve 2-1/4 - all (lip type seal, will replace earlier O ring type)	4	5596
22	Seal, Inlet Valve, 2-1/4 - all (earlier O ring type)	4	692
22	Seal, Inlet Valve, 2.6 Litre - all	4	692
22	Seal, Inlet Valve, (48-51), (53-58)	4	643
23	Seal, Exhaust, 2-1/4 - all (lip type seal, will replace earlier O ring type)	4	5597
23	Seal, Exhaust, 2-1/4 - all (earlier O Ring type)	4	643
23	Seal, Exhaust, (53-58) & 2.6 Litre - None used		
24	Thermostat Switch	1	1959
25	Set Bolt	3	1441
26	Valve Cover Gasket, 2-1/4 Petrol	1	344
26	Valve Cover Gasket, 2-1/4 Diesel	1	345
26	Valve Cover Gasket, Series II (55-58)	1	1359

***NLA = No longer available.**