

ILL No.	Part No.	Description	Qty. Rqd.
---------	----------	-------------	-----------

REAR EXTERNAL BODY FITTINGS

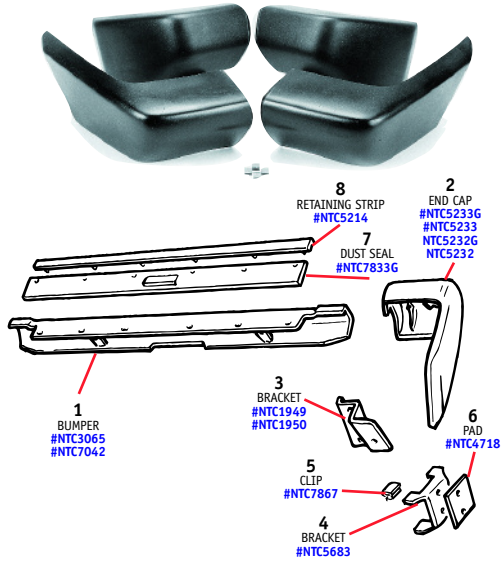
REMARKS LEGEND -

Vehicle i.d. (v) numbers:

KA = 1989 model year; LA = 1990 model year;
 NA = 1992 model year; PA = 1993 model year;
 RA = 1994 model year; SA = 1995 model year.

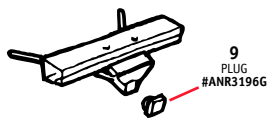
MONEY-SAVING KITS NOTED IN RED TYPE

Rear Bumper End Caps



- | | | | |
|---|-----------------------------|-----------------------------------|---|
| 1 | NTC3065 | BUMPER, rear, black | 1 |
| | NTC7042 | BUMPER, rear, chrome | 1 |
| 2 | NTC5233G | END CAP, rear bumper, LH, genuine | 1 |
| | NTC5233 | END CAP, rear bumper, LH | 1 |
| | NTC5232G | END CAP, rear bumper, RH, genuine | 1 |
| | NTC5232 | END CAP, rear bumper, RH | 1 |
| 3 | NTC1949 | BRACKET, mounting end cap, LH | 1 |
| | NTC1950 | BRACKET, mounting end cap, RH | 1 |
| 4 | NTC5683 | BRACKET, end cap to body | 2 |
| 5 | NTC7867 | CLIP, bumper end bracket | 8 |
| 6 | NTC4718 | PAD, end cap bracket to body | 2 |
| 7 | NTC7833G | DUST SEAL, rear bumper | 1 |
| | <i>From (v) LA419470 on</i> | | |
| 8 | NRC5214 | RETAINING STRIP, dust seal, black | 1 |

Hitch Plug



- | | | | |
|---|-----------------------------|---------------------------------|---|
| 9 | ANR3196G | PLUG, blanking tow hitch socket | 1 |
| | <i>From (v) SA647650 on</i> | | |

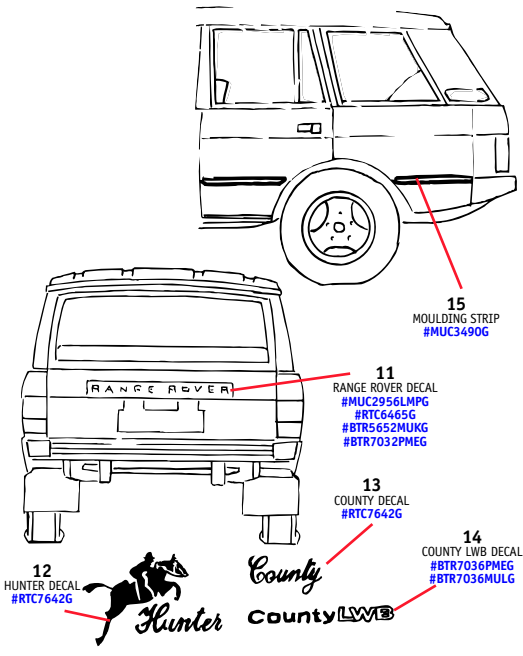
ILL No.	Part No.	Description	Qty. Rqd.
---------	----------	-------------	-----------



10
 LAND ROVER
 BADGE
 #BTR1047G

- | | | | |
|----|----------|---------------------------|---|
| 10 | BTR1047G | BADGE, 'LAND ROVER', rear | 1 |
|----|----------|---------------------------|---|

Decals & Moulding



- | | | | |
|----|---------------------------------------|---|---|
| 11 | MUC2956LMPG | DECAL, 'RANGE ROVER', rear, Nimbus grey | 1 |
| | <i>Up to (v) KA399972</i> | | |
| | RTC6465G | DECAL, 'RANGE ROVER', rear, silver | 1 |
| | <i>From (v) LA399973 to NA models</i> | | |
| | BTR5652MUKG | DECAL, 'RANGE ROVER', rear, mid silver | 1 |
| | <i>From (v) PA models to PA631126</i> | | |
| | BTR7032PMEG | DECAL, 'RANGE ROVER', rear, black | 1 |
| | <i>From (v) PA631127 on</i> | | |
| 12 | RTC7661G | DECAL, 'Hunter' | 1 |
| 13 | RTC7642G | DECAL, 'County', silver | 1 |
| | <i>Up to (v) NA models</i> | | |
| 14 | BTR7036PMEG | DECAL, 'County LWB', black | 1 |
| | <i>From (v) PA631127 on</i> | | |
| | BTR7036MULG | DECAL, 'County LWB', silver | 1 |
| | <i>From (v) PA631127 on</i> | | |
| 15 | MUC3490G | MOULDING STRIP, rear quarter, RH | 1 |
| | <i>Up to (v) RA647649</i> | | |

ILL No.	Part No.	Description	Qty. Rqd.
---------	----------	-------------	-----------

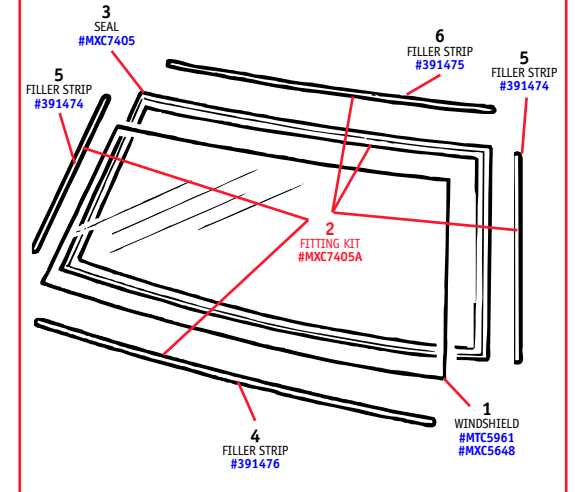
GLAZING

REMARKS LEGEND -

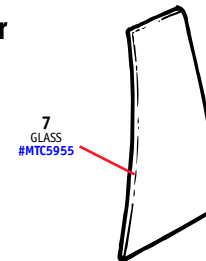
Vehicle i.d. (v) numbers:

JA = 1988 model year; KA = 1989 model year;
 RA = 1994 model year.

Windshield & Seals



Rear Quarter Glass Panel



- | | | | |
|---|--|-------------------------------------|---|
| 1 | MTC5961 | WINDSHIELD, sundym tinted, unheated | 1 |
| | <i>Up to (v) JA351032</i> | | |
| | MXC5648 | WINDSHIELD, sundym tinted, heated | 1 |
| | <i>From (v) KA351033 to RA647649</i> | | |
| 2 | MXC7405A | FITTING KIT, windshield | 1 |
| | <i>Includes seal and filler strips</i> | | |
| 3 | MXC7405 | SEAL, windshield | 1 |
| 4 | 391476 | FILLER STRIP, seal, lower | 1 |
| 5 | 391474 | FILLER STRIP, seal, sides | 2 |
| 6 | 391475 | FILLER STRIP, seal, upper | 1 |
| 7 | MTC5955 | GLASS, quarter light, LH rear door | 1 |

PRICES SUBJECT TO CHANGE.
 Call for the Latest Pricing and Availability.