

Ill. No.	Part No.	Description	Qty. Rqd.
----------	----------	-------------	-----------

HANDBRAKE

REMARKS LEGEND -

Vehicle i.d. (v) numbers:

JA = 1988 model year; KA = 1989 model year.

MONEY-SAVING KITS NOTED IN RED TYPE



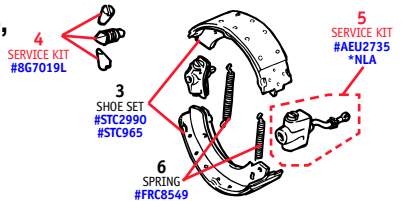
1 HANDBRAKE CABLE
#NTC9400



2 HANDBRAKE CABLE
#NTC6125

1	NTC9400	CABLE, handbrake LT230 transfer box, up to (v) JA351032	1
2	NTC6125	CABLE, handbrake B-W transfer box, from (v) KA351033 up to (e) 36D22144A	1

Hand Brake, Shoe & Fittings



3	STC2990	SHOE SET, handbrake LT230 transfer box, up to (v) JA351032	1
	STC965	SHOE SET, handbrake B-W transfer box, from (v) KA351033 up to (e) 36D22144A	1
4	8G7019L	SERVICE KIT, adjuster LT230 transfer box, up to (v) JA351032	1
5	AEU2735	SERVICE KIT, expander B-W transfer box, from (v) KA351033 up to (e) 36D22144A	*NLA
6	FRC8549	SPRING, shoe return LT230 transfer box, up to (v) JA351032	1

TECH TIP: Optima Battery Upgrades & Accessories



1 BATTERY #9603
1 BATTERY #9602

The revolutionary Optima Battery features patented Spiralcell technology that lasts up to 3 times longer than conventional flat-plate batteries! The Optima's totally-sealed design will not leak even if it's cracked open. And, it's much more resistant to jarring and vibration common to off-road driving (a primary killer of conventional liquid-filled batteries). Choose the regular cell with 800 Cold Cranking Amps, or the deep cycle with 750 C.C.A. for winching or other situations that require occasional recharging.

Optima Spiralcell Battery – Yellow – Deep Cycle (9602)

Optima Spiralcell Battery – Red – Regular Cycle (9603)

Ill. No.	Part No.	Description	Qty. Rqd.
----------	----------	-------------	-----------

BATTERY AND ROTATING ELECTRICS

REMARKS LEGEND -

Engine (e) numbers:

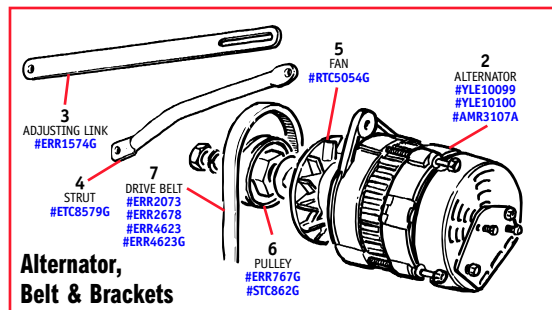
31D = 3.5 liter; 38D = 3.9 liter through 1992;

36D = 3.9 liter from 1993; 40D = 4.2 liter.

Vehicle i.d. (v) numbers:

NA = 1992 model year; PA = 1993 model year;

RA = 1994 model year; SA = 1995 model year.

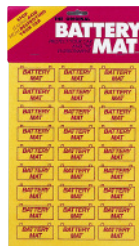


1	9603	BATTERY, Optima, regular cell (red top)	1
	9602	BATTERY, Optima, deep cell (yellow top)	1
2	YLE10099	ALTERNATOR, 85 amp (e) 31D, 38D; 36D up to (v) RA647649	1
	YLE10100	ALTERNATOR, 100 amp (e) 40D up to (v) RA647649	1
	AMR3107A	ALTERNATOR, 100 amp, new (e) 36D, 40D from (v) SA647650 on	1
3	ERR1574G	ADJUSTING LINK, alternator	1
4	ETC8579G	STRUT, alternator (e) 31D; up to (e) 38D 20386A	1
5	RTC5054G	FAN, alternator	1
6	ERR767G	PULLEY, vee belt type Up to (v) NA models	1
	STC862G	PULLEY, four groove From (v) PA models on	1
7	ERR2073	DRIVE BELT, alternator, vee type Up to (v) NA models	1
	ERR2073G	DRIVE BELT, alternator, vee type, genuine Up to (v) NA models	*NLA
	ERR2678	DRIVE BELT, alternator, four groove type From (v) PA to RA647649	1
	ERR4623	DRIVE BELT, alternator, polyvee, 0.E. From (v) SA647650 on	1
	ERR4623G	DRIVE BELT, alternator, polyvee, genuine From (v) SA647650 on polyvee, genuine	1

Battery Mat

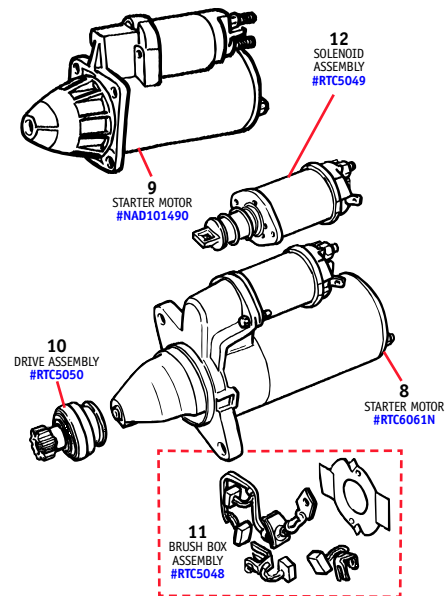
Used and recommended by the U.S. Air Force, the Battery Mat traps and neutralizes battery acid, protecting your battery box and surrounding hoses, wires, metal, etc. from corrosion. Get one for every battery you own and protect your lawn tractor, snowmobile, boat, etc. from corrosion, too!

Battery Mat (9108)



Ill. No.	Part No.	Description	Qty. Rqd.
----------	----------	-------------	-----------

Starter & Solenoid



8	RTC6061N	STARTER MOTOR Up to (e) 36D19508A, 40D03276A	1
9	NAD101490	STARTER MOTOR From (e) 36D19509A, 40D03277A on	1
10	RTC5050	DRIVE ASSEMBLY, starter motor Up to (e) 36D19508A, 40D03276A	1
11	RTC5048	BRUSH BOX ASSEMBLY, starter motor Up to (e) 36D19508A, 40D03276A	1
12	RTC5049	SOLENOID ASSEMBLY, starter motor Up to (e) 36D19508A, 40D03276A	1

*NLA = No Longer Available

TECH TIP: Maintenance & Tune-Up Kits

Our maintenance and tune-up kits include everything you need to complete recommended tune-ups and maintenance—including the distributor cap, ignition wires, oil filter, spark plugs and more! Buy everything you need in one money-saving kit!

9202	MAINTENANCE KIT 30,000 MILE
9204	MAINTENANCE KIT 60,000 MILE
9199E	TUNE UP KIT BASIC STANDARD
9200G	TUNE UP KIT COMPLETE PREMIUM
9200	TUNE UP KIT COMPLETE STANDARD
9199G	TUNE UP KIT LUCAS\BOSCH PLATINUM
9199GC	TUNE UP KIT LUCAS\CHAMPION PLUGS