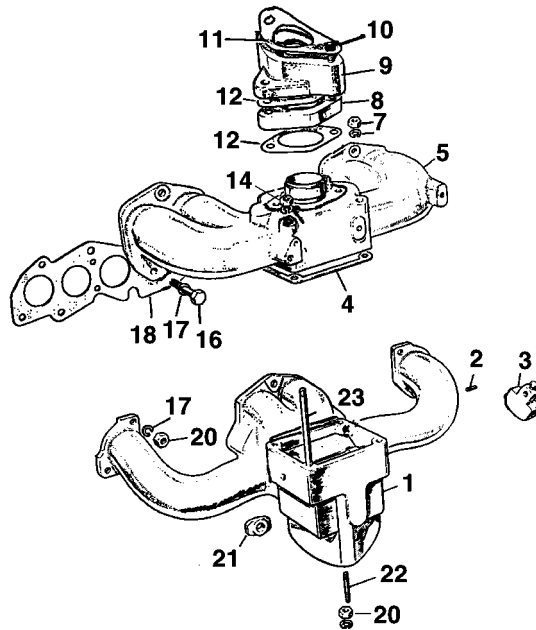


# Manifolds



## MANIFOLDS, INTAKE & EXHAUST

Ref #	Description	Qty	Part #	Ref #	Description	Qty	Part #
1	EXHAUST MANIFOLD, II, IIA, III, 2-1/4 PETROL	1	6221	20	Nut 5/16 UNF	3	1436
not shown	Exhaust Manifold, Diesel IIA, III	1	*NLA 7062	21	Clamp for Manifold	2	6966
2	Stop Pin, Adjusting Plate	1	1483	22	Stud for Exhaust	3	5574
3	Counterbalance Weight	1	79	23	Stud 3 11/16	4	5183
	Set Screw for Weight	1	1441	→	<b>EXHAUST MANIFOLD (2.25) FITTING KIT KIT 6221K</b>		
4	Joint Washer	1	2069		(INCLUDES: INTAKE TO EXHAUST STUDS, EXHAUST		
5	Intake Manifold	1	*NLA 3660		MANIFOLD TO FRONT PIPE STUDS, 5/16" NUTS, EXHAUST		
6	Spring Washer	2	3096		MANIFOLD FIX KIT, JOINT WASHER INLET, MANIFOLD		
7	Nut to Manifold	2	1502		GASKET 2-1/4 PETROL)		
8	Block to Adaptor	1	1827	not shown	Spring Washer, Carb to Adaptor	2	5690
9	Carburetor Adaptor	1	362	not shown	Nut 5/16 UNF Carb to Adaptor	2	1436
10	Stud for Carburetor	2	*NLA 1494	not shown	Manifold, 2 Barrel only	1	6222
11	Joint Washer	1	1007				
12	Joint Washer for Adaptor & Block	2	1008				
14	Nut (5/16 UNF)	4	1436				
15	Spring Washer	4	5690				
16	Bolt 5/16 x 2-3/4 UNF	4	*NLA 1511				
17	Spring Washer	11	5690				
18	Manifold Gasket Intake & Exhaust	1	414				

\*NLA = No longer available.

**Some items in this section may be available on a special order basis or phone-order only. Please call for pricing and availability.**