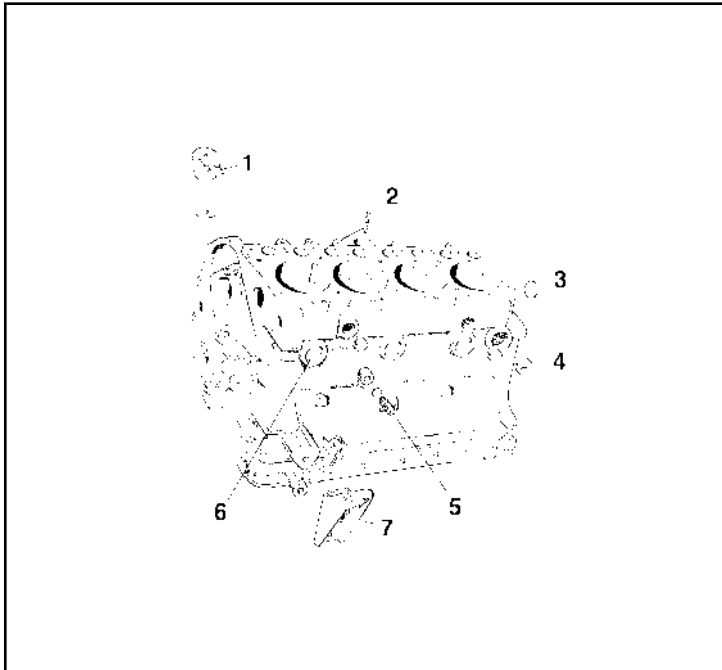


ENGINES & ENGINE REBUILD KITS

Ref #	Description	Qty	Part #	Ref #	Description	Qty	Part #
	SHORT BLOCK REBUILD KIT		3817		TIMING CHAIN KIT		3819
→	Kit Includes:			→	Kit Includes:		
	4 Piston Assemblies Std. (Specify Size)				1 Cam Shaft Chainwheel		
	1 Thrust Washer Set (Specify Size)				1 Chain Tensioner Wheel		
	1 Front Engine Oil Seal				1 Chain Vibration Damper		
	1 Full Engine Gasket Set				1 Ratchet		
	1 Rod Bearing Set (Specify Size)				1 Timing Chain Tensioner Cylinder		
	4 Rod Bushings				1 Crankshaft Chainwheel		
	1 Rear Engine Oil Seal				1 Spring for Ratchet		
	1 Main Bearing Set (Specify Size)				1 Spring for Tensioner		
					1 Timing Chain		
	CYLINDER HEAD OVERHAUL KIT		3818		CAMSHAFT REBUILD KIT		3820
→	Kit Includes:			→	Kit Includes:		
	4 Stellite Exhaust Valves • 8 Valve Springs				1 Cam Bearing Set (finished)		
	4 Intake Valves • 1 Head Set • 4 Exhaust Valve Guides				8 Tappet Assembly Sets		
	8 Spring Caps • 4 Intake Valve Guides • 16 Valve Keepers						
	TURNER ENGINE, 3 MAIN BEARING, REMANUFACTURED 2.25L		*NLA 3804		WARRANTY - ENGINES AND HEADS		
	TURNER ENGINE, 3 MAIN BEARING, REMANUFACTURED 2.25L PETROL*		3804HP				
→	Includes:				Atlantic British Parts Ltd. provides a 12-month warranty against defects in parts or workmanship. Part must be returned to Atlantic British, FREIGHT PREPAID. Atlantic British is not responsible for Labor or Freight or any incidental or consequential damages or related costs associated with removal, transportation, interim transportation, or installation of warranted parts or replacement of warranted parts.		
	Block, Machined, not to exceed .040 Standard						
	New Piston Assemblies						
	New Main Bearings						
	New Cam Shaft Bearings						
	New Connecting Rod Bushings & Bearings						
	New Rod Bolts & Nuts						
	Polished Cam Shaft						
	Polished or Cut Crank Shaft, as Required						
	New or Remanufactured 8:1 Head						
	New Intake Valves						
	New Exhaust Valves - Stellite						
	New Intake & Exhaust Valve Guides						
	New Valve Springs & Keepers						
	New Timing Chain & Gears • New Oil Pump						
	Valve Cover & Sump Pan • Rebuilt Rocker Shaft Assembly						
	*30% More Horsepower Than Original Unit						
					*NLA = No longer available.		



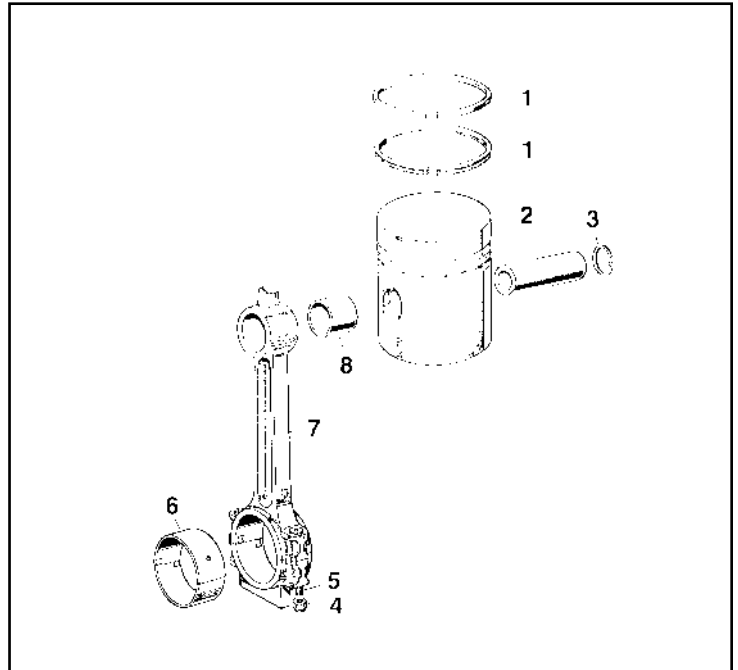
Engine



BLOCK ASSEMBLY

Ref #	Description	Qty	Part #
1	Engine Mount, RH Series I	1	*NLA 1541
not shown	Motor Mount, Rubber, 2-1/4 Petrol	2	1566
not shown	Motor Mount, Rubber, 2 & 2-1/4 Diesel	2	5765
not shown	Motor Mount, Rubber, Front 2-litre	2	141
2	Stud, For Sump	1	*NLA 1496
3	Plug, 1-1/2"	2	3996
3	Plug, 1 3/8"	2	3995
4	Plug for Redundant Heater Hole 1 NLS		
5	Drain Tap	1	4067
6	Cup Plug	3	3999
7	Engine Mount, LH, FT II & IIA	1	*NLA 1535
not shown	Cylinder Liners 2-1/4 Petrol & Diesel, all	4	4011

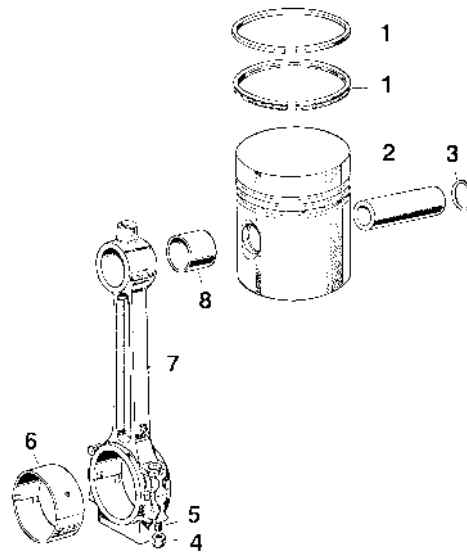
*NLA = No longer available.



PISTONS & RINGS

Ref #	Description	Qty	Part #
1	Piston Ring Set 2-1/4, II, IIA, III		
	Standard	4	6797
	Oversize .010	4	6984
	Oversize .020	4	6798
	Oversize .030	4	6799
	Oversize .040	4	6985
1	Piston Ring Set IIA & III Diesel		
	Standard	4	6459
	Oversize .010	4	6460
	Oversize .020	4	*NLA 6461
	Oversize .030	4	6462
	Oversize .040	4	6463
1	Piston Ring Set 2.6 Litre		
	Standard	6	3870
	Oversize .010	6	3871
	Oversize .020	6	*NLA 3872
	Oversize .040	6	3874
1	Piston Ring Set Petrol (55-58)		
	Standard 4		3860
	Oversize .020	4	3862
	Oversize .030	4	3863
	Oversize .040	4	3864
1	Piston Ring Set 2 Litre Diesel -		
	Standard	4	6448
2	Piston Assembly, 2-1/4 Petrol		
	Standard	4	6794
	Oversize .020	4	6795
	Oversize .030	4	6796
	Oversize .040	4	7026

*NLA = No longer available.

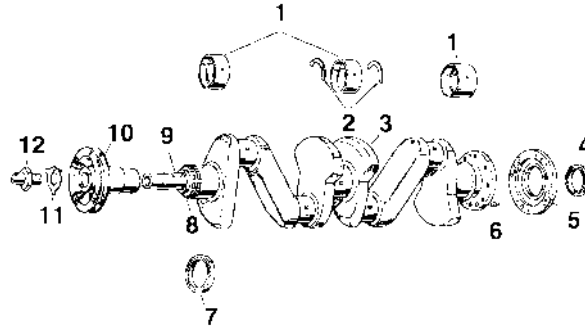


PISTONS & RINGS

Ref #	Description	Qty	Part #	Ref #	Description	Qty	Part #
2	Piston Assembly 2-1/4 Diesel			6	Connecting Rod Bearing Set 2.6 Litre		
	Standard	4	6691		Standard	1	5555
	Oversize .020	4	6693		Oversize .010	1	6086
	Oversize .030	4	6694		Oversize .020	1	6087
	Oversize .040	4	6695		Oversize .030	1	6088
2	Piston Assembly 2.6 Litre				Oversize .040	1	6089
	Standard	6	3880	6	Connecting Rod Bearing Set 2-1/4 (58-61) & 2 Litre Diesel		
	Oversize .020	6	3881		Standard	1	5336
2	Piston Assembly 2 Litre (55-58)				Oversize .010	1	*NLA 5337
	Standard	4	3875		Oversize .020	1	5338
	Oversize .020	4	3876		Oversize .030	1	*NLA 5339
	Oversize .030	4	3877		Oversize .040	1	5340
3	Circlip for Grudgeon Pin 2-1/4 Petrol - all	4	1394	6	Connecting Rod Bearing Set (55-58)		
3	Circlip for Grudgeon Pin 2-1/4 Diesel - all	4	1393		Standard	1	5331
4	Self Locking Nut 2-1/4 - all 8 1389				Oversize .010	1	5332
	Self Locking Nut 2 Litre	8	1396		Oversize .020	1	5333
5	Bolt 2-1/4 - all	8	5120		Oversize .030	1	5334
6	Connecting Rod Bearing Set 2-1/4 IIA & III - all				Oversize .040	1	5335
	Standard	1	5341	7	Connecting Rod 2-1/4 IIA & III Petrol	4	3500
	Oversize .010	1	5342	7	Connecting Rod 2-1/4 IIA & III Diesel	4	3865
	Oversize .020	1	5343	7	Connecting Rod 2.6 Litre (Special Order)	6	3866
	Oversize .030	1	5344	8	Bushing, 2-1/4 Petrol - all	4	171
	Oversize .040	1	5345a	8	Bushing, 2-1/4 Diesel - all	4	*NLA 335
				8	Bushing, 2 Litre Petrol (55-58)	4	273
				8	Bushing, 2.6 Litre	6	273
				not shown	Cylinder Liner IIA & III - all	4	4011

*NLA = No longer available.

Some items in this section may be available on a special order basis or phone-order only. Please call for pricing and availability.



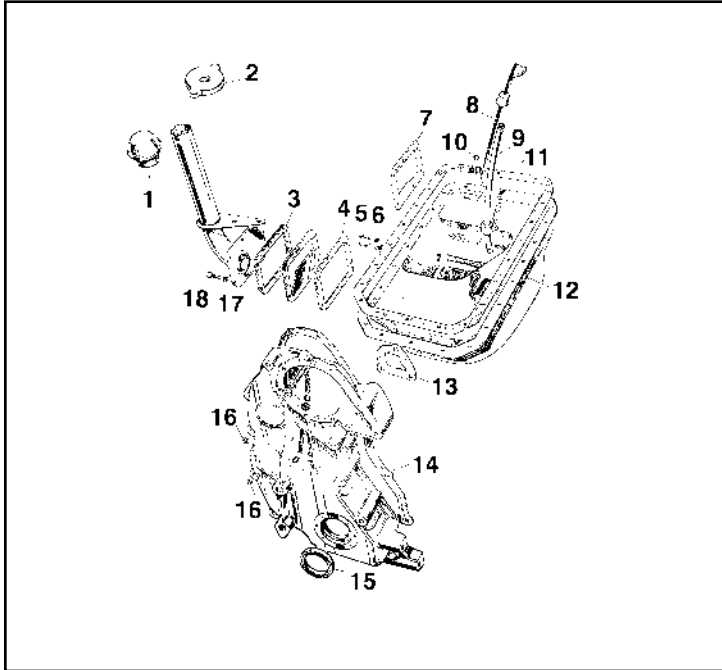
CRANK SHAFT

Ref #	Description	Qty	Part #	Ref #	Description	Qty	Part #
1	Main Bearing Set 2-1/4 61 on			2	Thrust Washer, 2-1/4 All		
	Standard	1	5548		Standard	2	2056
	.010	1	5544		.0025	2	2057
	.020	1	5545		.0050	2	2058
	.030	1	5546	2	Thrust Washer 2-1/4 (58-61)		
	.040	1	5547		Standard	2	384
1	Main Bearing Set II (58-61), (2 Litre Diesel I & II)			2	Thrust Washer (55-58)		
	Standard 1 5554				Standard	2	5255
	.010	1	*NLA 5541		.0025	2	5256
	.020	1	5542		.0050	2	5257
	.030	1	5543	2	Thrust Washer		
	.040	1	5556		Standard	2	6082
1	Main Bearing Set (55-58) (Special Order)				.0025	2	5566
	.020	1	5551		.0050	2	*NLA 6083
	.030	1	5552	3	Crank Shaft, 2-1/4 Petrol - Standard	1	*NLA 4769
	.040	1	5553	3	Crankshaft, 2-1/4 Diesel - Standard	1	*NLA 3788
1	Main Bearing Set 2.6 Litre (Special Order)			3	Crankshaft, 2.6 Litre - Standard	1	*NLA 3790
	Standard 1 5841			4	Oil Seal, Rear Main	1	3061
	.010	1	*NLA 5842	5	Oil Seal Retainer (2 req.)	2	2043
	.020	1	5843	6	Dowel for Flywheel	1	1324
	.030	1	5844	7	Oil Seal, Front timing Cover	1	3
	.040	1	5845	8	Chainwheel, Crankshaft	1	3601
				9	Key, Chainwheel	1	5156
				10	Crankshaft Pulley	1	6139
				not shown	Crankshaft Pulley, Double Flange	1	*NLA 2816
				11	Lockwasher, Starting Dog	1	1386
				12	Starting Dog	1	6447

*NLA = No longer available.

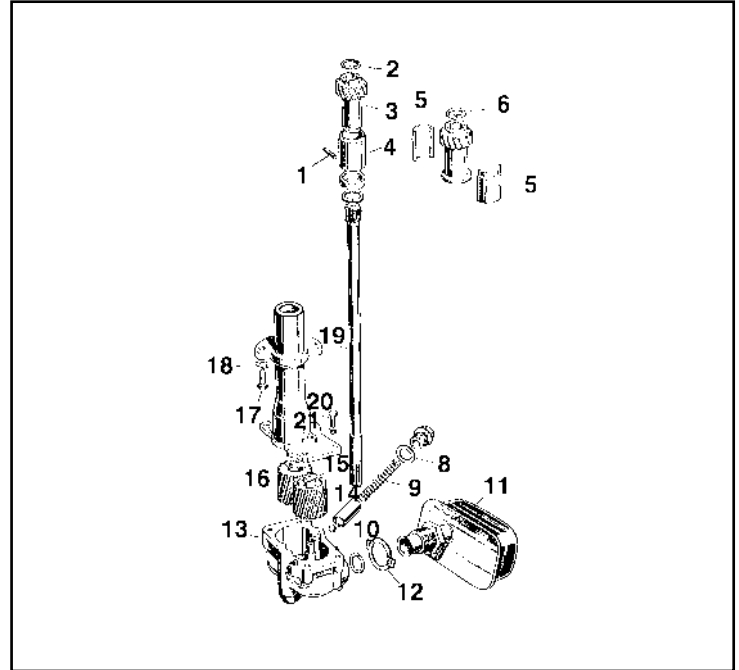
Some items in this section may be available on a special order basis or phone-order only. Please call for pricing and availability.

*NLA = No longer available.



OIL PAN, COVERS AND CAPS

Ref #	Description	Qty	Part #
1	Oil Filler Cap - Breather Type	1	5119
2	Oil Filler Cap - Later Style	1	5773
3&4	Joint Washer for Oil Filler Tube	2	950
5	Drain Plug for Crankcase	1	1802
6	Washer for Drain Plug	1	1391
7	Joint Washer for Side Cover Rear	1	951
8	Dip Stick	1	6297
9	Tube for Dipstick	1	96
10	Sealing Ring for Rod	1	308
11	Oil Pan Gasket	1	949
12	Spring Washer, Oil Pan	22	5690
13	Joint Washer Water Inlet	1	6189
14	Front Cover Gasket	1	952
15	Oil Seal for Front Cover	1	3
16	Spring Washer, Front Cover	15	5690
17	Spring Washer, Front Side Cover	7	5690
18	Bolt, Front Side Cover	7	1509
not shown	Spring Washer, rear Side Cover	6	5690
not shown	Bolt Rear Side Cover	6	5504

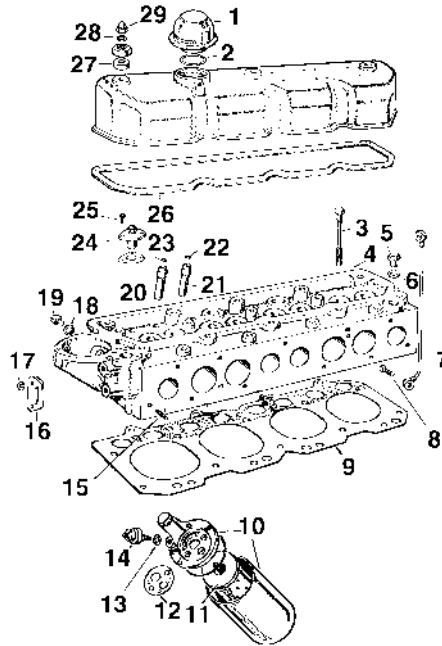


OIL PUMP

Ref #	Description	Qty	Part #
	OIL PUMP ASSEMBLY	1	3785
1	Locating Screw for Drive Shaft	1	218
2	Circlip for Drive Shaft	1	1307
3	Drive Shaft Assembly	1	3783
4	Bush for Drive Shaft Gear	1	6137
5	Split Bush for Drive Shaft Gear	1	1804
6	Circlip for Drive Shaft	1	1307
8	Washer	1	*NLA 1397
9	Spring for Oil Pressure Release 1 5883		
9	Spring for Oil Pressure Release - 2.6 Litre	1	6391
10	Steel Ball (2-1/4 Litre)	1	939
10	Steel Ball (2.6 Litre)	1	6390
11	Oil Filter for Pump	1	1477
12	Lock Washer	1	5197
13	Oil Pump Body	1	218
14	Oil Pump Gear, Idler (2-1/4 & 2.6)	1	6366
15	Bush for Idler Gear	1	727
16	Oil Pump Gear, Driver (2-1/4 & 2.6)	1	6367
17	Set Bolt	2	5504
18	Lockwasher	2	3068
19	Drive Shaft	1	*NLA 4780
20	Set Bolt	4	1510
21	Spring Washer	4	5690

*NLA = No longer available.

Heads



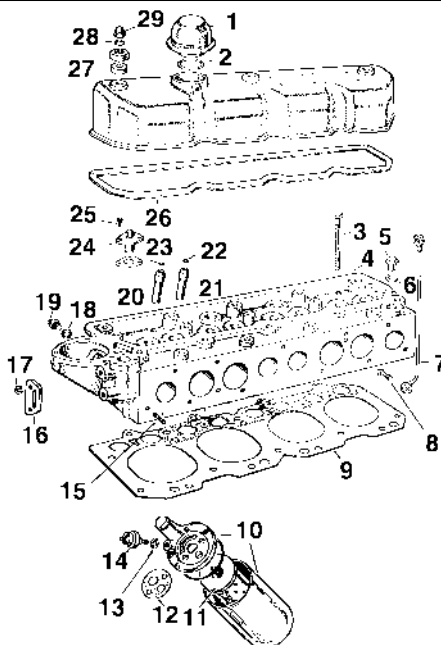
HEADS - OIL FILTER ASSEMBLY

Ref #	Description	Qty	Part #
1	Breather Filter	1	*NLA 1885
2	Sealing Ring for Filter	1	5681
3	Head Bolt (Medium)	9	80
4	Cylinder Head 8:1, 2-1/4 Petrol (new)	1	*NLA 3805
4	CYLINDER HEAD 8:1, 2-1/4 PETROL, NEW	1	3824
4	Cylinder Head 8:1 2-1/4 Petrol High Performance – New (adds 5 – 10 more horsepower at medium speed.)	1	3824HP
4	Cylinder Head, 2-1/4 Stripped, Diesel 1 3789		
5	Plug	1	1802
6	Joint Washer for 1802	1	1391
7	Oil Pipe	1	24
8	Banjo Bolt Fixing Oil Pipe	2	595478
9	Head Gasket 2-1/4 Petrol	1	5629
9	Head Gasket 2-1/4 Diesel	1	5675
9	Head Gasket 2.6 - all	1	5674
10	Engine Oil Filter	1	1301
11	Oil Filter Element IIA (After 69 & all Series III) - Includes O Ring (4 5/8") 1 3069		
11	Oil Filter Element II & IIA (6.81") includes O ring	1	150
11	Oil Filter Element II & IIA Diesel (6.81") includes O ring	1	150
11	Oil Filter Series II 2 Litre & 2.6 Litre includes O ring	1	10
12	Joint Washer for Filter Assembly	1	1300
13	Joint Washer for Switch	1	*NLA 1458
14	Oil Pressure Switch for Green Warning light on Dash	1	1958
14	Oil Pressure Switch, Series II	1	241

*NLA = No longer available.

Ref #	Description	Qty	Part #
15	See Manifolds		
16	Lifting Bracket, Front	1	*NLA 1478
17	Spring Washer	4	5690
18	Joint Washer for part #802		1 1391
19	Temp. Sender	1	6026
20	Valve Guide, Exhaust, II, IIA & III	4	5669
20	Valve Guide, Exhaust 2-1/4 Diesel	4	6488
20	Valve Guide, Exhaust 2 Litre Petrol (53-58) & 2.6 Litre - all 4 116		
21	Valve Guide, Inlet II, IIA & III	4	5668
21	Valve Guide, Inlet 2-1/4 Diesel	4	*NLA 6487
21	Valve Guide, Inlet (48-51), (53-58)	4	3888
21	Valve Guide, Inlet 2.6 European	4	115
22	Seal, Inlet Valve 2-1/4 - all (lip type seal, will replace earlier O ring type)	4	5596
22	Seal, Inlet Valve, 2-1/4 - all (earlier O ring type)	4	692
22	Seal, Inlet Valve, 2.6 Litre - all	4	692
22	Seal, Inlet Valve, (48-51), (53-58)	4	643
23	Seal, Exhaust, 2-1/4 - all (lip type seal, will replace earlier O ring type)	4	5597
23	Seal, Exhaust, 2-1/4 - all (earlier O Ring type)	4	643
23	Seal, Exhaust, (53-58) & 2.6 Litre - None used		
24	Thermostat Switch	1	1959
25	Set Bolt	3	1441
26	Valve Cover Gasket, 2-1/4 Petrol	1	344
26	Valve Cover Gasket, 2-1/4 Diesel	1	345
26	Valve Cover Gasket, Series II (55-58)	1	1359

*NLA = No longer available.



HEADS - OIL FILTER ASSEMBLY

Ref #	Description	Qty	Part #
26	Valve Cover Gasket, Top, 2.6 Litre NADA *NLA	1	NLS 3884
26	Valve Cover Gasket, Top, 2.6 Litre European	1	5788
26	Valve Cover Gasket, Side 2.6 Litre - all	1	6296
27	Rubber washer	3	6132
28	Sealing Washer	3	1548
29	Acorn Nut	3	5159
→	CYLINDER HEAD OVERHAUL KIT, 2-1/4 PETROL	KIT	3818
	Includes:		
	4 - #1860 Stellite Valves, 8 - #5734 Valve Springs,		
	4 - #5668 Intake Guides, 1 - #2028 Head Set,		
	4 - #5669 Exhaust Valve Guides, 4 - #1283 Intake Valves,		
	8 - #519 Valve Spring Caps, 16 - #187 Valve Keepers		
→	VALVE COVER TUNE UP KIT, 2-1/4 PETROL	KIT	3175
	Includes:		
	Gasket, 3 - Acorn Nuts, 3 - Rubber Washers		

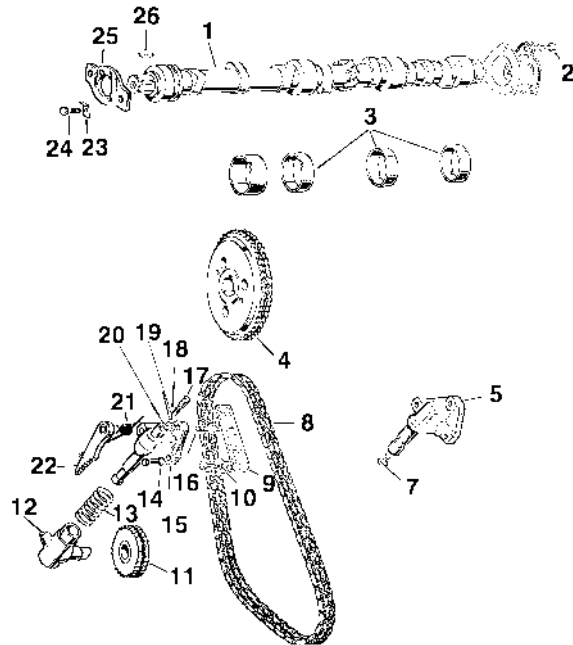
*NLA = No longer available.

Ref #	Description	Qty	Part #
GASKETS SETS			
	Head Sets 2-1/4 Petrol	1	2028
	Full Engine Set 2-1/4 Petrol	1	102
	Head Set 2-1/4 Diesel	1	1918
	Full Engine Set Diesel	1	1916
	Head Set 2.6 Litre - NADA	1	7262
	Block Set 2.6 Litre - all	1	5974
	Head Set 2.6 Litre European	1	5732
	Head Set (55-58)	1	5491
	Block Set (55-58)	1	99
	Head Set (52-54)	1	*NLA 3780
	Block Set (52-54)	1	*NLA 3784

*NLA = No longer available.

Some items in this section may be available on a special order basis or phone-order only. Please call for pricing and availability.

Timing Components



TIMING COMPONENTS, CAMSHAFT

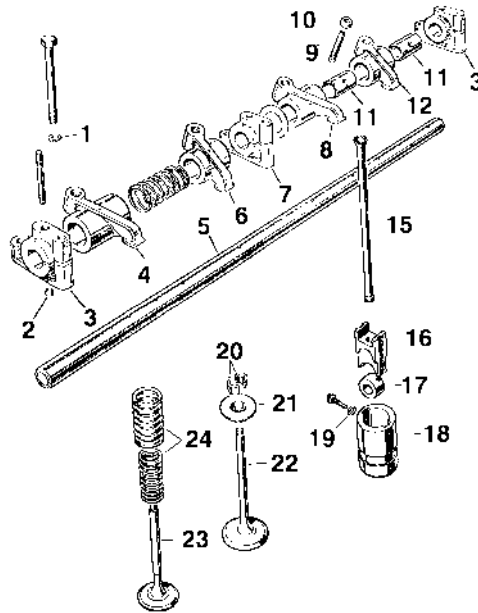
Ref #	Description	Qty	Part #
1	Camshaft 2-1/4 Petrol	1	3760
1	Camshaft 2-1/4 Diesel	1	*NLA 3788
1	Camshaft 2.6 Petrol	1	*NLA 3790
2	Set Bolt 3 1507		
3	Cam Bearing Set 2-1/4 - All (finished)	1	5317
3	Cam Bearing Set 2.6 Petrol	1	6288
3	Cam Bearing Set (53-58)	1	5316
4	Chainwheel for Camshaft	1	6317
5	Piston for Timing Chain to Engine 151017422	1	*NLA 457
7	Retainer for Steel Ball	1	447
8	Timing Chain 2? - all	1	78
8	Timing Chain 2.6 Litre	1	*NLA 9
9	Vibration Damper - all	1	6411
10	Locking Plate	2	3763
11	Idler Gear	1	6318
12	Cylinder for Adjuster	1	3507
13	Spring for Tensioner	1	6320
14	Spring Washer	2	5690
15	Piston for Adjuster (later style)	1	6412
16	Stud	1	*NLA 1469
17	Plug for Retainer	1	446
18	Spring Retainer	1	447
19	Steel Ball	1	454
20	Nut	1	1436
21	Spring, Adjuster Ratchet	1	6319
22	Ratchet	1	3077
23	Locker, Thrust Plate	2	3762
24	Set Bolt 2	1	508
25	Thrust Plate	1	3761
26	Key, Chainwheel	1	3759

*NLA = No longer available.

Ref #	Description	Qty	Part #
not shown	Timing Pointer, Front Pulley	1	6316
not shown	Tension Assembly 2.6 only	1	3077
not shown	Crankshaft Chainwheel	1	3601
not shown	Key, Crankshaft Chainwheel	1	5156
→	TIMING CHAIN RENEW KIT	KIT	3819
	Includes:		
	1 - Cam Chainwheel, 1 - Crank Chainwheel, 1 - Idler Gear,		
	1 - Ratchet Spring, 1 - Tensioner Spring,		
	1 - Vibration Damper, 1 - Ratchet, 1 - Timing Chain,		
	1 - Tensioner Cylinder		
→	CAMSHAFT OVERHAUL KIT	KIT	3820
	Includes:		
	1 - #5317 Cam Bearing Set, 2-1/4 finished,		
	8 - #1916 Tappet Assembly		

Some items in this section may be available on a special order basis or phone-order only. Please call for pricing and availability.

Rocker Shaft



VALVES & ROCKER SHAFT ASSEMBLY

Ref #	Description	Qty	Part #
1	Spring Washer	5	5690
2	Locating Dowel	4	57
3	Rocker Bracket Series II only	3	*NLA 1557
4	Valve Rocker, Exhaust LH	2	165
5	Valve Rocker Shaft IIA & III - all	1	6144
6	Valve Rocker, Inlet RH	2	168
8	Valve Rocker, Inlet LH	2	169
9	Tappet Adjusting Screw	8	6133
9	Tappet Adjusting Screw 2 Litre (54-58)	8	5412
10	Locknut for Adjusting Screw	8	5446
10	Locknut for 5412	8	*NLA 5262
11	Bush, Inlet & Exhaust Rocker	8	172
12	Valve Rocker, Exhaust RH	2	166
15	Push Rod IIA & III - all	8	1965
16	Tappet	8	6134
17	Roller	8	1962
18	Tappet Assembly, (Tappet, Roller, Guide, Bolt)	8	1966
19	Copper Washer	8	1548
20	Valve Keeper	16	187
20	Valve Keeper (48-51) - (53-58)	16	002
21	Valve Cap	8	519
22	Valve, Inlet 2-1/4 II, IIA, III	4	1783
22	Valve, Inlet 2-1/4 IIA, III Diesel	4	*NLA 1886
22	Valve, Inlet (48-51) - (53-58)	4	1776
22	Valve, Inlet 2.6 NADA	6	7260
22	Valve, Inlet 2.6 European	6	1421
23	Valve, Exhaust, Stellite 2-1/4	4	1860A

*NLA = No longer available.

Ref #	Description	Qty	Part #
23	Valve, Exhaust 2-1/4 Non-hardened	4	1859
23	Valve, Exhaust 2-1/4 Diesel	4	*NLA 5870
23	Valve, Exhaust 2.6 NADA	6	*NLA 7261
23	Valve, Exhaust (53-58)	4	1780
not shown	Valve Seat, Exhaust 2-1/4 Diesel	4	5519
not shown	Valve Seat, Exhaust 2.6 NADA	6	603
not shown	Valve Seat Exhaust, (53-58)	4	603
24	Valve Spring, 2-1/4 IIA & III - all	8	5734
24	Valve Spring Inlet, 2.6 NADA	6	5780
24	Valve Spring Exhaust 2.6 NADA	6	5529
24	Valve Spring (53-58)	8	1972

→ CYLINDER HEAD OVERHAUL KIT, 2-1/4 PETROL

KIT 3818

Includes:

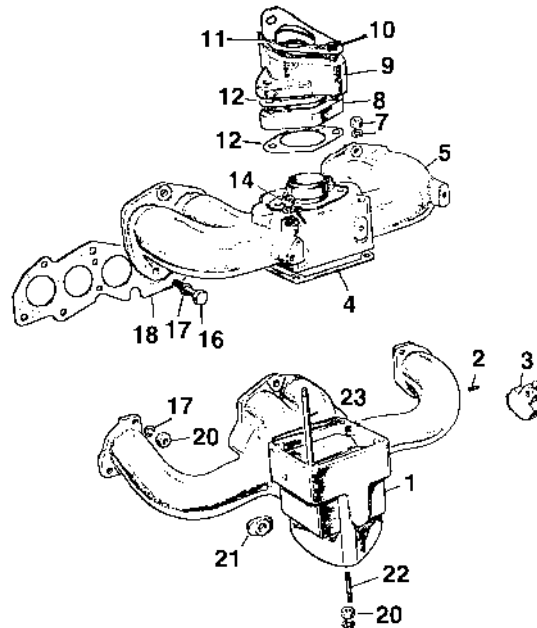
- 4 - #1860 Stellite Valves, 8 - #5734 Valve Springs,
- 4 - #5668 Intake Guides, 1 - #2028 Head Set,
- 4 - #5669 Exhaust Valve Guides, 4 - #1283 Intake Valves,
- 8 - #519 Valve Spring Caps, 16 - #187 Valve Keepers

*NLA = No longer available.

Some items in this section may be available on a special order basis or phone-order only. Please call for pricing and availability.



Manifolds



MANIFOLDS, INTAKE & EXHAUST

Ref #	Description	Qty	Part #	Ref #	Description	Qty	Part #
1	EXHAUST MANIFOLD, II, IIA, III, 2-1/4 PETROL	1	6221	20	Nut 5/16 UNF	3	1436
not shown	Exhaust Manifold, Diesel IIA, III	1	*NLA 7062	21	Clamp for Manifold	2	6966
2	Stop Pin, Adjusting Plate	1	1483	22	Stud for Exhaust	3	5574
3	Counterbalance Weight	1	79	23	Stud 3 11/16	4	5183
	Set Screw for Weight	1	1441	→	EXHAUST MANIFOLD (2.25) FITTING KIT KIT 6221K		
4	Joint Washer	1	2069		(INCLUDES: INTAKE TO EXHAUST STUDS, EXHAUST		
5	Intake Manifold	1	*NLA 3660		MANIFOLD TO FRONT PIPE STUDS, 5/16" NUTS, EXHAUST		
6	Spring Washer	2	3096		MANIFOLD FIX KIT, JOINT WASHER INLET, MANIFOLD		
7	Nut to Manifold	2	1502		GASKET 2-1/4 PETROL)		
8	Block to Adaptor	1	1827	not shown	Spring Washer, Carb to Adaptor	2	5690
9	Carburetor Adaptor	1	362	not shown	Nut 5/16 UNF Carb to Adaptor	2	1436
10	Stud for Carburetor	2	*NLA 1494	not shown	Manifold, 2 Barrel only	1	6222
11	Joint Washer	1	1007				
12	Joint Washer for Adaptor & Block	2	1008				
14	Nut (5/16 UNF)	4	1436				
15	Spring Washer	4	5690				
16	Bolt 5/16 x 2-3/4 UNF	4	*NLA 1511				
17	Spring Washer	11	5690				
18	Manifold Gasket Intake & Exhaust	1	414				

*NLA = No longer available.

Some items in this section may be available on a special order basis or phone-order only. Please call for pricing and availability.