

Ttl. No.	Part No.	Description	Qty. Rqd.
----------	----------	-------------	-----------

## COOLING SYSTEM

### REMARKS LEGEND -

#### Engine (e) numbers:

- 35D = 3.9 liter, manual transmission, distributor ignition
- 36D = 3.9 liter, automatic transmission, distributor ignition
- 50D = 4.0 liter, electronic ignition

#### Vehicle i.d. (v) numbers:

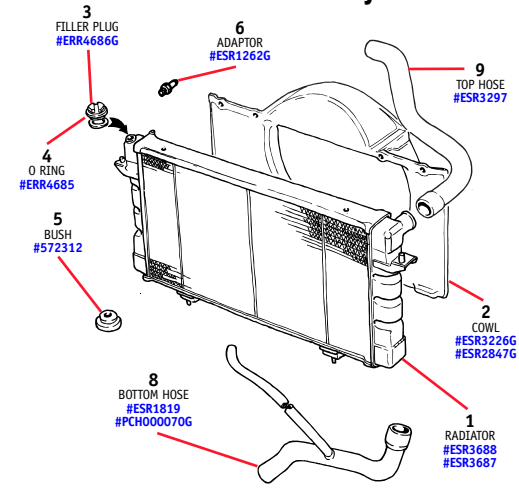
- RA = 1994 model year; TA = 1996 my

### MONEY-SAVING KITS NOTED IN RED TYPE



**7**  
**HOSE KIT**  
**#9370D**  
**#9370DA**  
**#9370DB**  
**#9370DC**

### Radiator Assembly

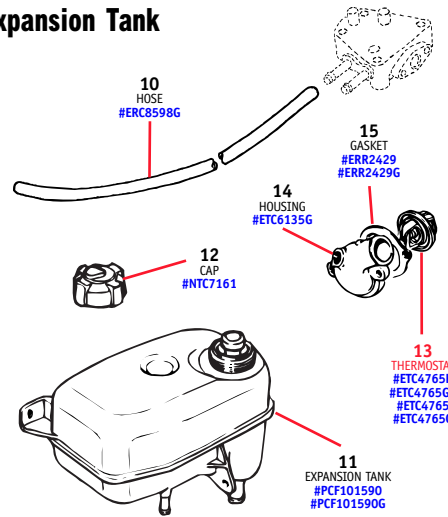


1	ESR3688	RADIATOR ASSEMBLY Manual transmission; from 1996 Model Year	1
	ESR3687	RADIATOR ASSEMBLY Automatic transmission; from 1996 Model Year	1
2	ESR3226G	COWL, radiator fan, upper, Genuine	1
	ESR2847G	COWL, radiator fan, lower, Genuine	1
	ERR4686G	PLUG, radiator filler, Genuine	1
3	ERR4685	O RING, radiator filler plug	1
4	ERR4685	O RING, radiator filler plug	1
5	572312	BUSH, radiator mounting	4

Ttl. No.	Part No.	Description	Qty. Rqd.
----------	----------	-------------	-----------

6	ESR1262G	ADAPTOR, oil cooler pipe, Genuine	2
7	9370D	HOSE KIT, cooling and heater (e) 35D, 36D through (v) RA098379; for system with water valve	1
	9370DA	HOSE KIT, cooling and heater (e) 35D, 36D from (v) RA098380 on; for system without heater valve	1
	9370DB	HOSE KIT, cooling and heater (e) 50D engines; not advanced evaporative loss models	1
	9370DC	HOSE KIT, cooling and heater (e) 50D engines; advanced evaporative loss models	1
	HSCLK	CLAMP KIT, radiator and heater hoses Includes 16 clamps	*NLA
8	ESR1819	HOSE, bottom Not advanced evaporative loss models	1
	PCH000070G	HOSE, bottom, Genuine Advanced evaporative loss models	1
9	ESR3297	HOSE, top From (v) RA098380 on	1

### Expansion Tank

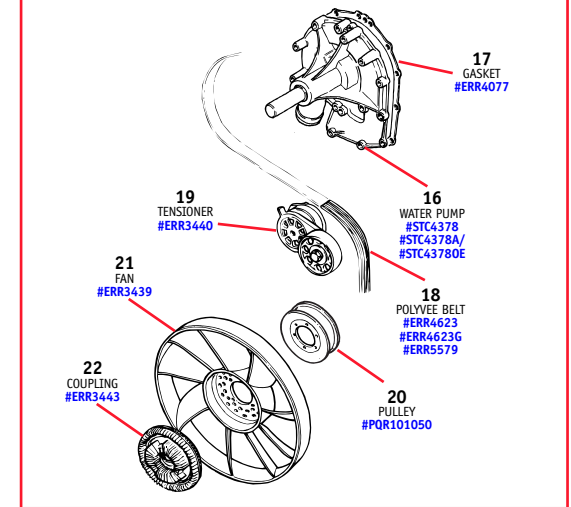


10	ERC8598G	HOSE, manifold jacket, Genuine	1
11	PCF101590	EXPANSION TANK	1
	PCF101590G	EXPANSION TANK, Genuine	1
12	NTC7161	CAP, expansion tank	1
13	ETC4765K	THERMOSTAT, 88C, with gasket	1
	ETC4765GK	THERMOSTAT, 88C, with gasket, Genuine	1
	ETC4765	THERMOSTAT 88C	1
	ETC4765G	THERMOSTAT, 88C, Genuine	1
14	ETC6135G	HOUSING, thermostat, Genuine (e) 35D, 36D engines	1
15	ERR2429	GASKET, thermostat housing	1
	ERR2429G	GASKET, thermostat housing, Genuine	1
16	STC4378A/ STC43780E	WATER PUMP ASSEMBLY	1
	STC4378G	WATER PUMP ASSEMBLY, Genuine	1
	STC4378FK	BOLT KIT, water pump	*NLA
17	ERR4077	GASKET, water pump	1
18	ERR4623	BELT, drive, polyvee (e) 35D, 36D engines	1
	ERR4623G	BELT, drive, polyvee, Genuine (e) 35D, 36D engines	1
	ERR5579	BELT, drive, polyvee (e) 50D engines	1

\*NLA = No Longer Available

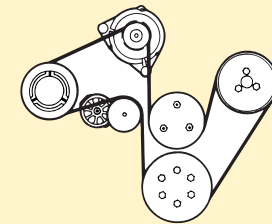
Ttl. No.	Part No.	Description	Qty. Rqd.
----------	----------	-------------	-----------

### Water Pump Assembly



19	ERR3440	TENSIONER, pulley, polyvee belt	1
	ERR3440G	TENSIONER, pulley, polyvee belt, Genuine	*NLA
20	PQR101050	PULLEY, fan and water pump	1
21	ERR3439	FAN, radiator	1
22	ERR3443	VISCOUS COUPLING, radiator fan	1

### TECH TIP: Polyvee 'Serpentine' Belt Change



Replacing your water pump polyvee or 'serpentine' belt is relatively simple (see item 18) - just use a wrench to pry back the belt tensioner. The hard part is remembering how to re-route the belt when you're done. This illustration should help. This is a good time to replace the belt tensioner (see item 19). A worn out tensioner can fail, destroying the new belt and leaving you stranded.

