

Ttl. No.	Part No.	Description	Qty. Rqd.
----------	----------	-------------	-----------

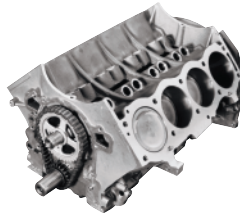
## CYLINDER BLOCK

### REMARKS LEGEND -

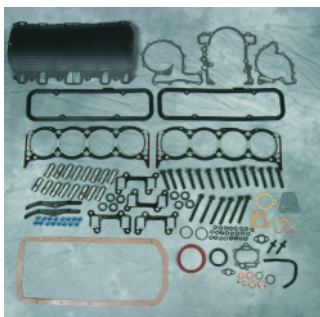
#### Engine (e) numbers:

- 35D = 3.9 liter, manual transmission, distributor ignition
- 36D = 3.9 liter, automatic transmission, distributor ignition
- 50D = 4.0 liter, electronic ignition

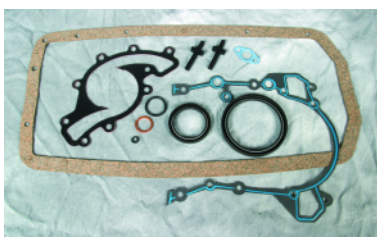
### MONEY-SAVING KITS NOTED IN RED TYPE



**1**  
ENGINE, SHORT 4.0 Liter  
#9257A



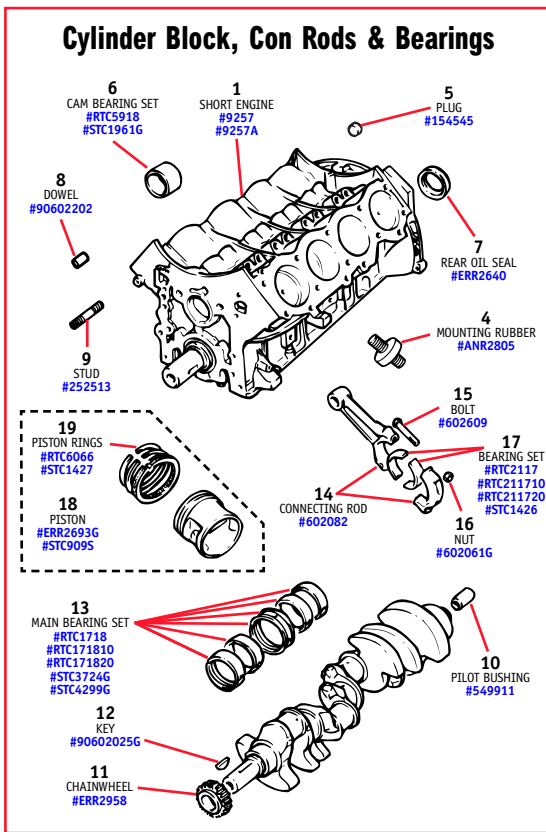
**2**  
ENGINE KIT  
#9257ABPK1



**3**  
GASKET SET  
#STC2823

1	9257	ENGINE, short, 3.9 liter, Genuine, new unit (e) 35D, 36D engines	1
	9257A	ENGINE, short, 4.0 liter, Genuine, new unit Replacement for 3.9 liter units	1
2	9257ABPK1	ENGINE KIT, for 9257 and 9257A engines Contains composite head gaskets set, conversion gasket set, 16 hydraulic lifters, all head bolts	1
3	STC2823	GASKET SET, conversion	1

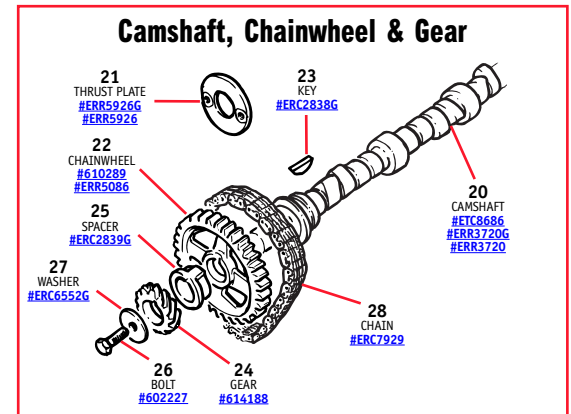
Ttl. No.	Part No.	Description	Qty. Rqd.
----------	----------	-------------	-----------



4	ANR2805	MOUNTING RUBBER, engine	2
5	154545	PLUG, breather hose	1
6	RTC5918	BEARING SET, camshaft (e) 35D, 36D engines	1
	STC1961G	BEARING SET, camshaft, Genuine (e) 50D engines	1
7	ERR2640	OIL SEAL, crankshaft, rear	1
8	90602202	DOWEL, locating front cover to block	2
9	252513	STUD, front cover (e) 35D, 36D engines	1
10	549911	PILOT BUSHING, crankshaft	1
11	ERR2958	CHAINWHEEL, crankshaft	1
12	90602025G	KEY, chainwheel, Genuine	1
13	RTC1718	MAIN BEARING SET, standard Through (e) 35D08966B, 36D25524B	1
	RTC171810	MAIN BEARING SET, + 0.010 Through (e) 35D08966B, 36D25524B	1
	RTC171820	MAIN BEARING SET, + 0.020 Through (e) 35D08966B, 36D25524B	1
	STC3724G	MAIN BEARING SET, standard, Genuine From (e) 35D08967B, 36D25525B on	1
	STC4299G	MAIN BEARING SET, standard, Genuine (e) 50D engines	1
14	602082	CONNECTING ROD ASSEMBLY (e) 35D, 36D engines	8
15	602609	BOLT, connecting rod (e) 35D, 36D engines	16
16	602061G	NUT, connecting rod, Genuine (e) 35D, 36D engines	16

Ttl. No.	Part No.	Description	Qty. Rqd.
----------	----------	-------------	-----------

17	RTC2117	BEARING SET, big end, standard (e) 35D, 36D engines	1
	RTC211710	BEARING SET, big end, + 0.010 (e) 35D, 36D engines	1
	RTC211720	BEARING SET, big end, + 0.020 (e) 35D, 36D engines	1
	STC1426	BEARING SET, big end, standard, Genuine (e) 50D engines	1
18	STC9095	PISTON ASSEMBLY, standard (e) 35D, 36D engines	8
19	RTC6066S	PISTON RINGS, piston set, standard (e) 35D, 36D engines	8
	STC1427	PISTON RINGS, piston set, standard (e) 50D engines	8
20	ETC8686	CAMSHAFT (e) 35D, 36D engines	1
	ERR3720	CAMSHAFT (e) 50D engines	1
	ERR3720G	CAMSHAFT, Genuine (e) 50D engines	1



21	ERR5926	THRUST PLATE, camshaft, (e) 35D, 36D engines	1
22	610289	CHAINWHEEL, camshaft (e) 35D, 36D engines	1
	ERR5086	CHAINWHEEL, camshaft (e) 50D engines	1
23	ERC2838G	KEY, chainwheel, Genuine (e) 35D, 36D engines	1
24	614188	GEAR, distributor drive (e) 35D, 36D engines	1
25	ERC2839G	SPACER, sprocket, Genuine (e) 35D, 36D engines	1
26	602227	BOLT, sprocket (e) 35D, 36D engines	1

Cylinder Block



TO ORDER, CALL **1-800-533-2210**

## Engine Components

Atlantic British has recently made a special purchase of remanufactured differentials, transmissions, transfer cases and short block engines. Now you can rebuild your entire drive train at a practical price. (Our 3.9 engine, for instance, costs less than an overhaul of your existing 3.9!) And of course, we offer all the gaskets, bearings, bolts, seals and valves you need to do the complete job. Call us, we'll be glad to outfit you with everything you need.

### K & N Oil Filter

The best oil filter we've seen, the K&N Performance Gold Oil Filter's heavy-duty bonded construction features an anti-drainback valve to eliminate dry starts and prevents dirty oil from draining back into your crankcase. An inexpensive way to help protect your engine. (Does not fit Discovery Series II.)

K&N Oil Filters - Long (1168KN)

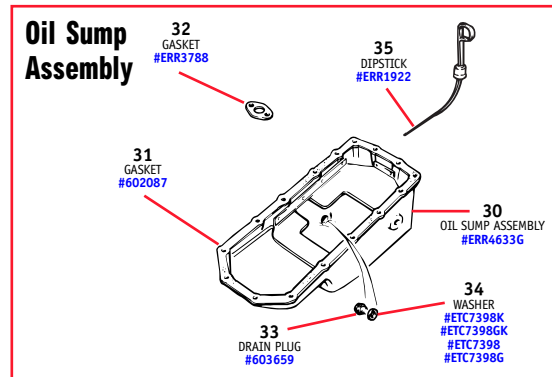
K&N Oil Filter - Short (3340KN)

**GET THE COMPLETE K&N AIR AND OIL FILTER KIT INCLUDING AIR FILTER, AIR FILTER CLEANER AND SHORT OIL FILTER AT A VALUE PRICE!**

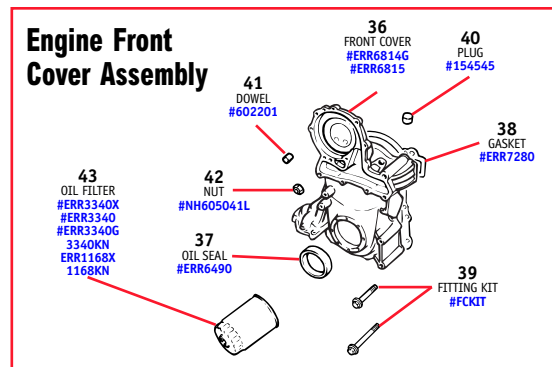
Complete K&N Air & Oil Filter Kit  
Discovery I (9251K)



Ill. No.	Part No.	Description	Qty. Rqd.
27	ERC6552G	WASHER, sprocket, Genuine (e) 35D, 36D engines	1
28	ERC7929	CHAIN, timing	1
29	9009	TIMING CHAIN KIT, with sprockets, gaskets and oil seal (e) 35D, 36D engines	1
	9009A	TIMING CHAIN KIT, with sprockets, gaskets and oil seal (e) 50D engines	1



30	ERR4633G	OIL SUMP ASSEMBLY, Genuine	1
31	602087	GASKET, oil sump	1
32	ERR3788	GASKET, oil pick up	1
33	603659	DRAIN PLUG, oil sump	1
34	ETC7398K ETC7398GK	WASHER, sealing, drain plug, pack of 6 WASHER, sealing, drain plug, pack of 6, Genuine	1
	ETC7398	WASHER, sealing, drain plug	1
	ETC7398G	WASHER, sealing, drain plug, Genuine	1
35	ERR1922	DIPSTICK ASSEMBLY (e) 35D, 36D engines	1



36	ERR6814G	FRONT COVER, engine, Genuine (e) 35D, 36D engines	1
	ERR6815	FRONT COVER, engine, From (e) 50D06547A on	1
	FCKIT	BOLT KIT, front engine cover (e) 35D, 36D	1
	FCKITA	BOLT KIT, front engine cover (e) 50D22383A	1
37	ERR6490	OIL SEAL, front cover, twin lip type From (e) 50D06547A on	1

Ill. No.	Part No.	Description	Qty. Rqd.
38	ERR7280	GASKET, front cover	1
39	FCKIT	FITTING KIT, front cover, includes all bolts and washers  (e) 35D, 36D and 50D engines	1
40	154545	PLUG, front cover (e) 35D, 36D engines	1
41	602201	DOWEL, locating water pump (e) 35D, 36D engines	2
42	NH605041L	NUT, front cover stud (e) 35D, 36D engines	1
43	ERR3340X	OIL FILTER, short, pack of 6	1
	ERR3340	OIL FILTER, short	1
	ERR3340G	OIL FILTER, short, Genuine	1
	3340KN	OIL FILTER, short, K&N premium	1
	ERR1168X	OIL FILTER, long, pack of 6	1
	ERR1168	OIL FILTER, long	*NLA
	1168KN	OIL FILTER, long, K&N premium	1

### TECH TIP: Oil Pump & Front Engine Cover

The oil pump and front engine cover are one integrated unit, therefore you must replace the cover if you're going to replace the oil pump. When changing the front engine cover / oil pump, also consider replacing your water pump, hoses and polyvee 'serpentine' belt at the same time since they all must be removed and are probably worn. We offer complete water pump assemblies, hose kits and water pump hardware kits to make the job easier, see page 31 for more details.

\*NLA = No Longer Available

**PRICES SUBJECT TO CHANGE.**  
Call for the Latest Pricing and Availability.