



USER GUIDE

Thank you for purchasing a Clearview Easy Slide. We are sure you will find the quality made product a huge asset in your vehicle's storage system.

The Easy Slide is designed to give the user better access to their fridge or freezer in the storage compartment of their vehicle. No longer is it a struggle to see and reach into the fridge unit, as the Clearview Easy Slide enables you to safely adjust the positioning of the fridge for best access when needed, and also securely stowing your fridge for the road.

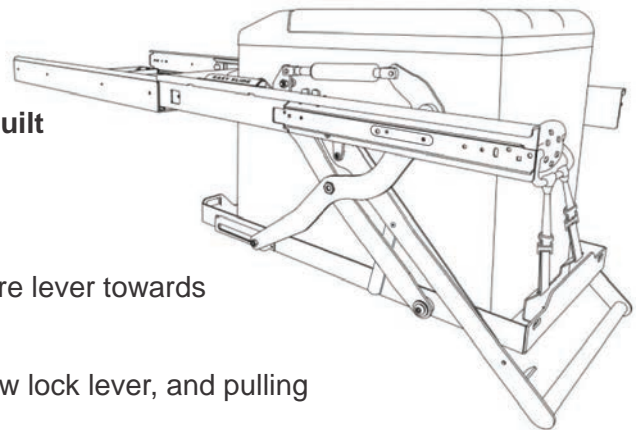


Installing a fridge:

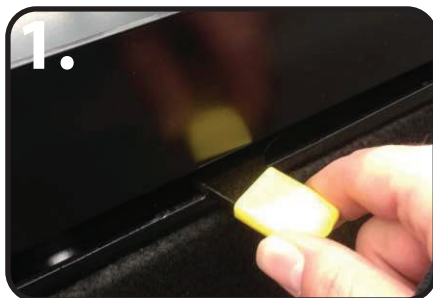
- ⓘ When fitting a fridge always use quality tie down straps and **never** travel with it unrestrained.

Tie down straps developed specifically for the Easy Slide are available from Clearview.

An Easy Slide should **never be fitted to an existing inbuilt fridge slide**, Warranty on the both Drawer System and Easy Slide will be made Void if attempted. Easy Slides should only be fitted to a solid, fixed, timber tops.



- Release the Easy Slide Transit Lock by pushing the centre lever towards the right. (1)
- Open The slides to a full extension by releasing the yellow lock lever, and pulling the handle towards yourself until the lock engages at full extension (you will hear the click) (2).
- Squeeze the handle trigger to disengage the lift cog lock and lower the fridge cradle to it's bottom position by pushing down on the handle3)



- ⓘ When the Easy Slide is empty, moderate force is required to lower the cradle as the struts are designed to the assist with maximum capacity load.

Installing a Fridge. (cont)

- Release the handle trigger to re-engage the cog lock which will hold the fridge cradle in its lowered position



- Position the fridge on the cradle ensuring best access to the controls, power socket and lid. (PIC 1)



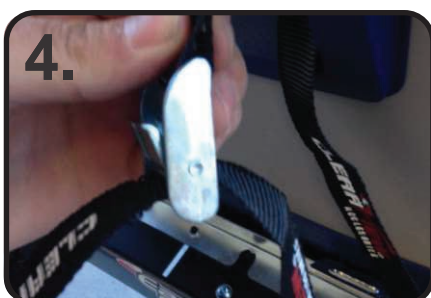
Securing the fridge to the Easy Slide

To assist in securing the fridge to the Easy Slide, the Easy Slide has provisions for four (4) tie down straps, one (1) in each corner of the cradle (refer PIC 2 & 3).

Repeat the below process for all four (4) tie down straps to secure the fridge to the Easy Slide:--

- ❗ **IMPORTANT:** For the two (2) rear straps **ONLY**, ensure the cam buckle is facing inwards on completion (towards the fridge) to avoid creating a 'catching point' that may inhibit vertical movement of the cradle (refer PIC 5 & 6)

- Hold the strap by the buckle above the Easy Slide;
- Thread the loose end of the strap down through the fridge handle or tie down point;
- Continue to thread the strap down through the Easy Slide strap provision from inside to out;
- Curl the strap around at both ends to connection point - typically the fridge's vertical halfway point;
- Thread the loose end of the strap through the cam buckle from behind; (PIC 4)
- Holding the cam buckle in position, continue to pull the strap through the cam buckle and downwards to tighten



- Squeeze handle trigger to disengage and return to upper position, depress slide lock and push handle to return Easy Slide to stowed position. Engage the Transit Lock by sliding the lever to the left.



Safe Slide usage:

The Clearview Easy Slides have a maximum weight capacity of **180KG load** on the fridge cradle at maximum extension of slide. Do not overload or use the slide in a manner contrary to its intended operation as you may damage your equipments and void warranty. When using or stowing the Easy Slide, ensure the slide lock and transit lock are engaged for safe operation. The hydraulic rams at either side of the mechanism assist raising and lowering of the cradle under load and enables smooth, controlled movement of the fridge cradle

WARNING!

ⓘ Always use the handle to lower, raise, open and close the Easy Slide.

Due to the nature of the scissor mechanism, the Easy Slide has some pinch points to be aware of. As shown in the diagrams, do not place hands, fingers or objects in the areas shown as they are pinch hazards.

