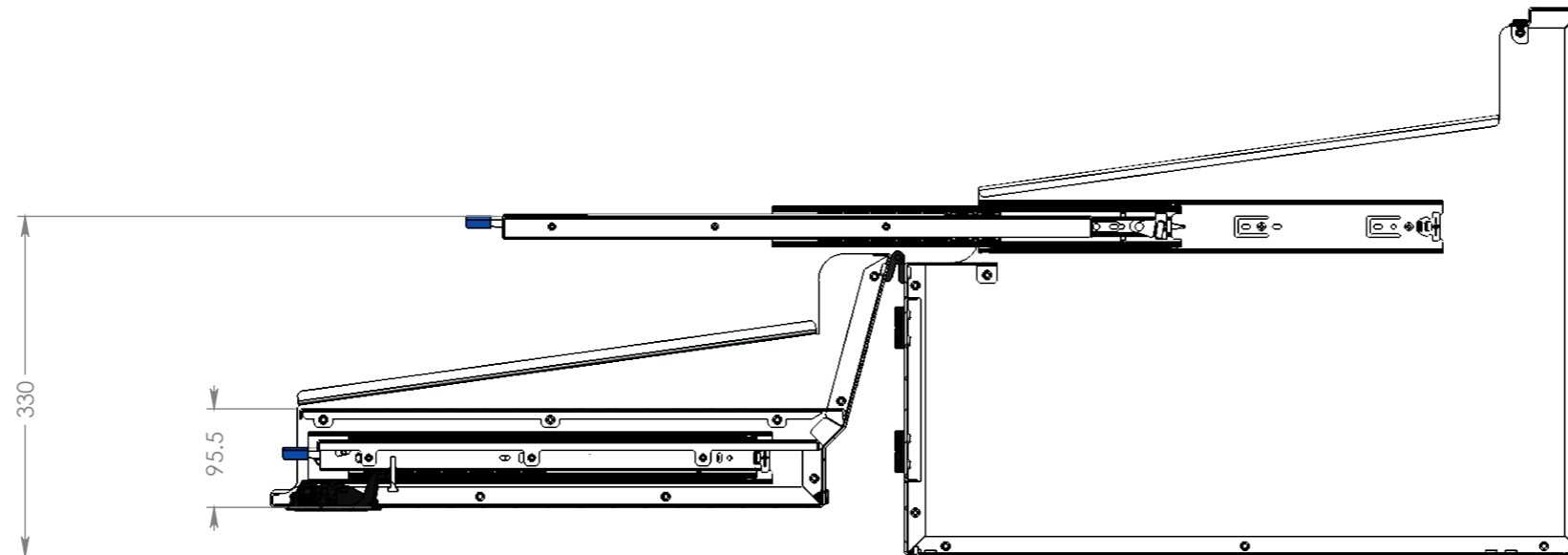
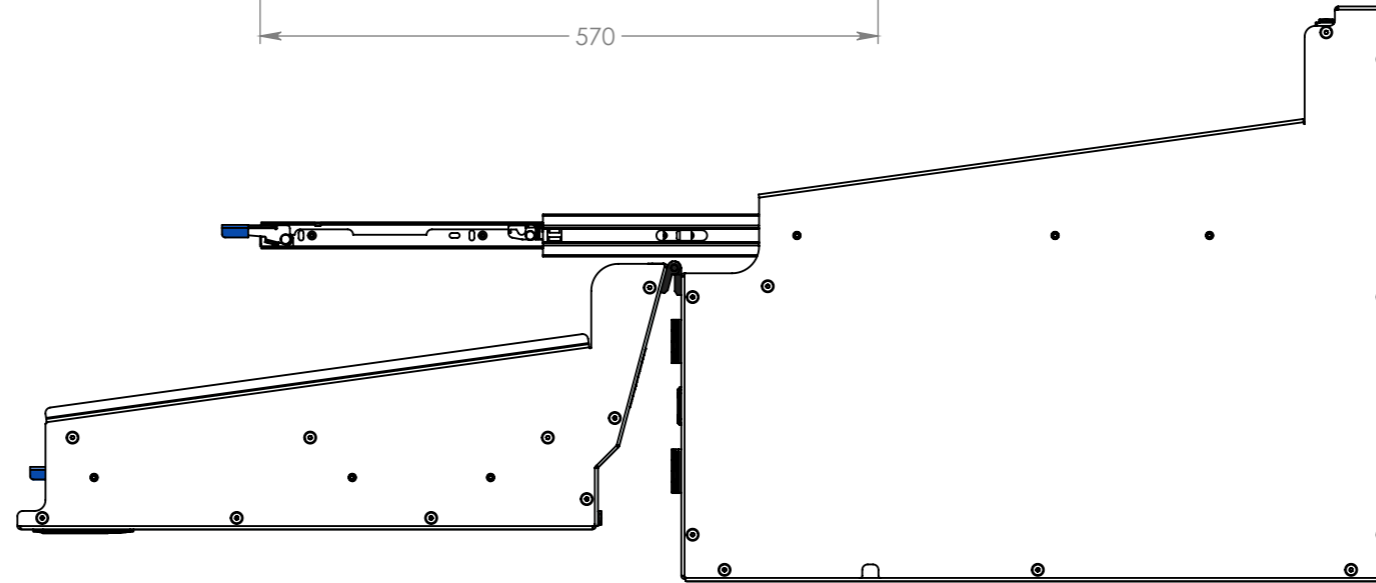
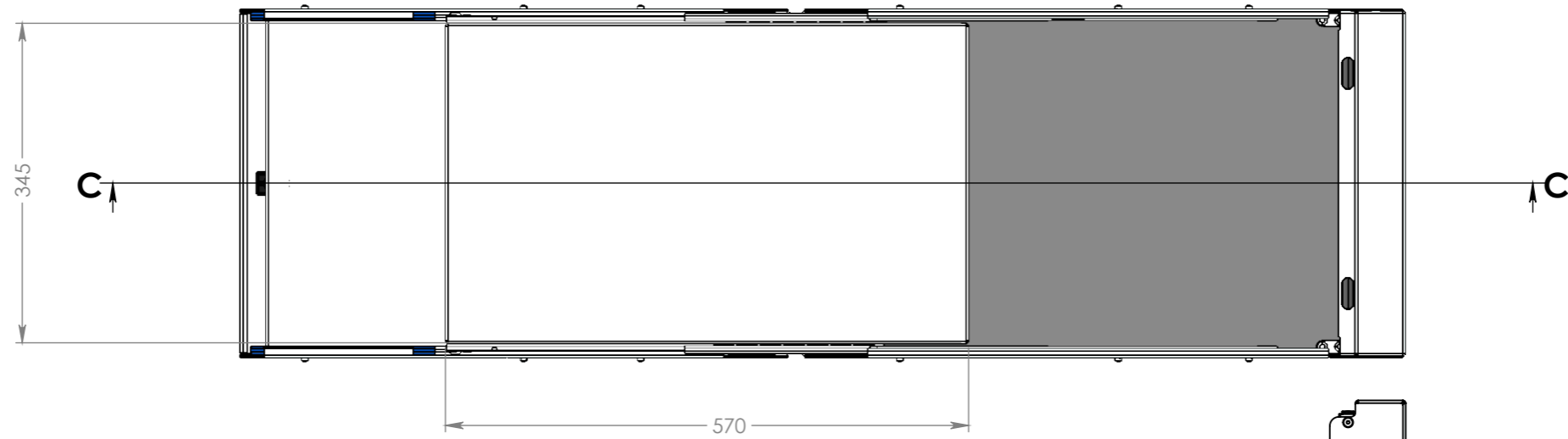


A height of at least 950mm is required to open Kitchen/Pantry lid.

DRAWING UNCONTROLLED UNLESS STAMPED OTHERWISE

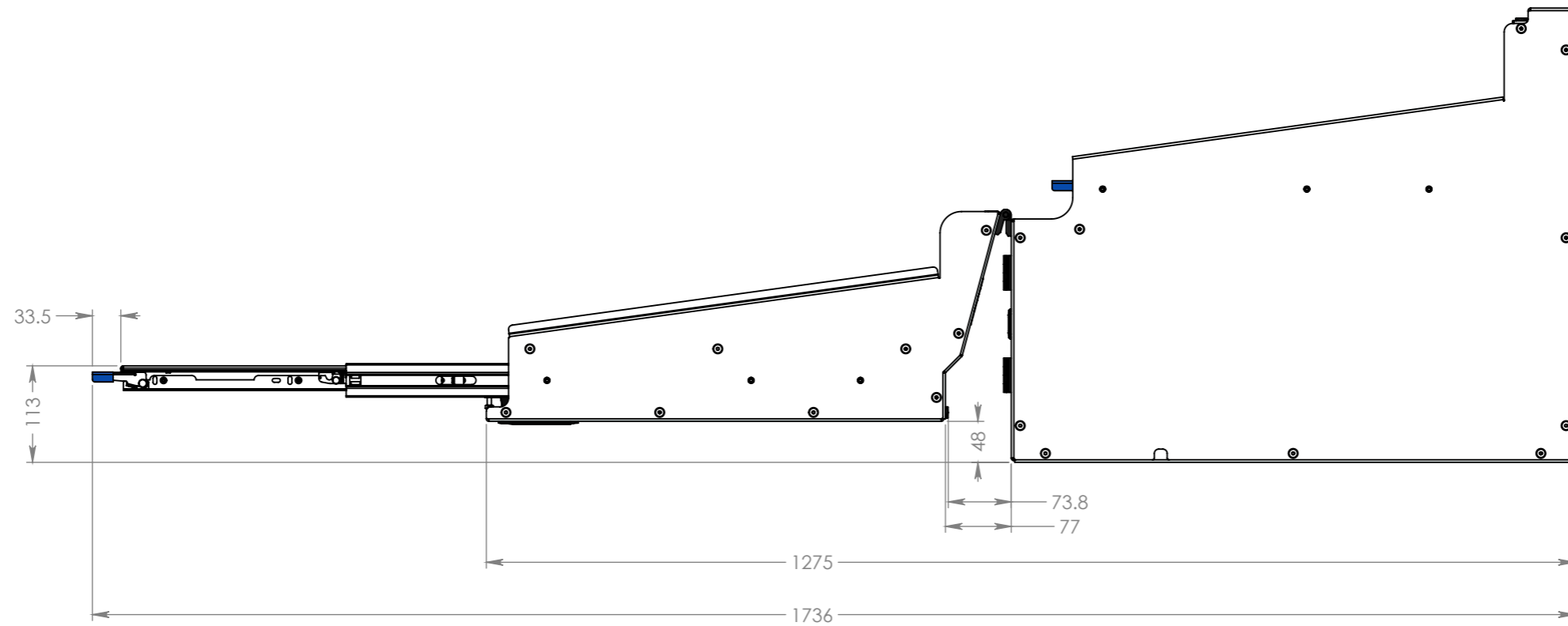
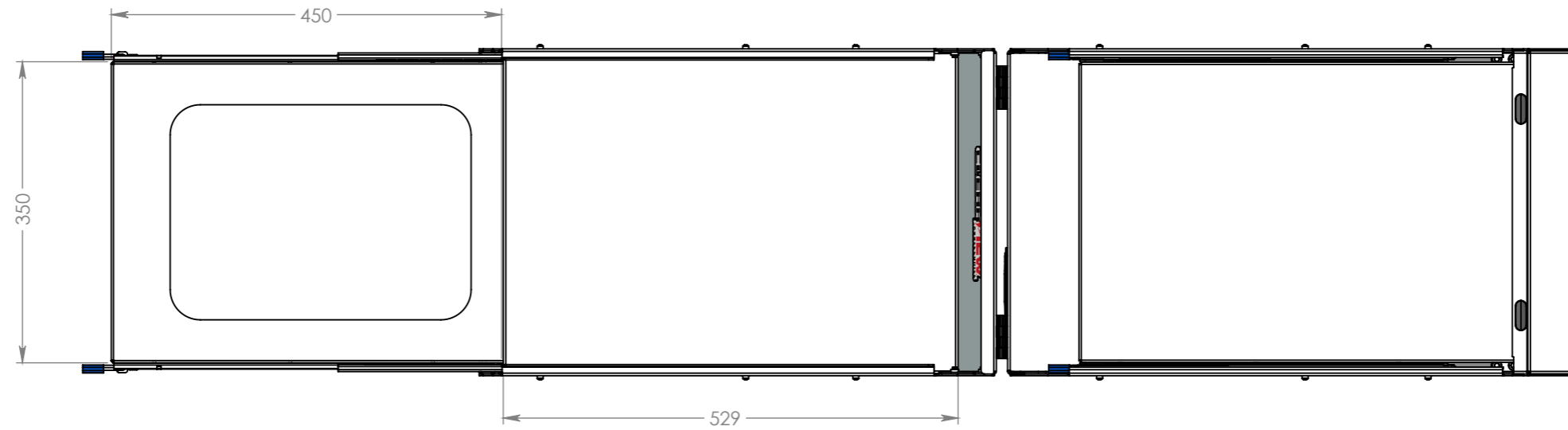
UNLESS OTHERWISE SPECIFIED: DIMENSIONS ARE IN MILLIMETRES SURFACE FINISH: TOLERANCES LINEAR: $\pm 0.15\text{mm}$ ANGULAR: $\pm 0.5^\circ$		WHERE USED:	CLEARVIEW TOWING MIRRORS TITLE: Clearview Kitchen/Pantry Assembly	
DESIGNED	DN Friday, May 5, 2017 10:58:01 AM	FINISH:		
DRAWN	DN 15-Feb-18	MATERIAL: AS PER PARTS	REVISION: A	
CHECKED		WEIGHT (G): 18839.10		
APPROVED		SCALE: 1:7		
DEBUR AND BREAK SHARP EDGES	DO NOT SCALE DRAWING	FILE LOCATED: C:\Users\Cleaview\Documents\Dylan's files\Cleaview\Products\Easy Slide\Add Ons\Kitchen Box\Prototype\		
LAST SAVED: Thursday, February 15, 2018 10:35:24 AM <small>THE INFORMATION CONTAINED IN THIS DRAWING REMAINS THE SOLE PROPERTY OF CLEARVIEW TOWING MIRRORS. ANY REPRODUCTION IN PART OR AS A WHOLE WITHOUT THE PRIOR WRITTEN CONSENT OF CLEARVIEW TOWING MIRRORS IS STRICTLY PROHIBITED.</small>			SHEET 1 OF 4	



SECTION C-C

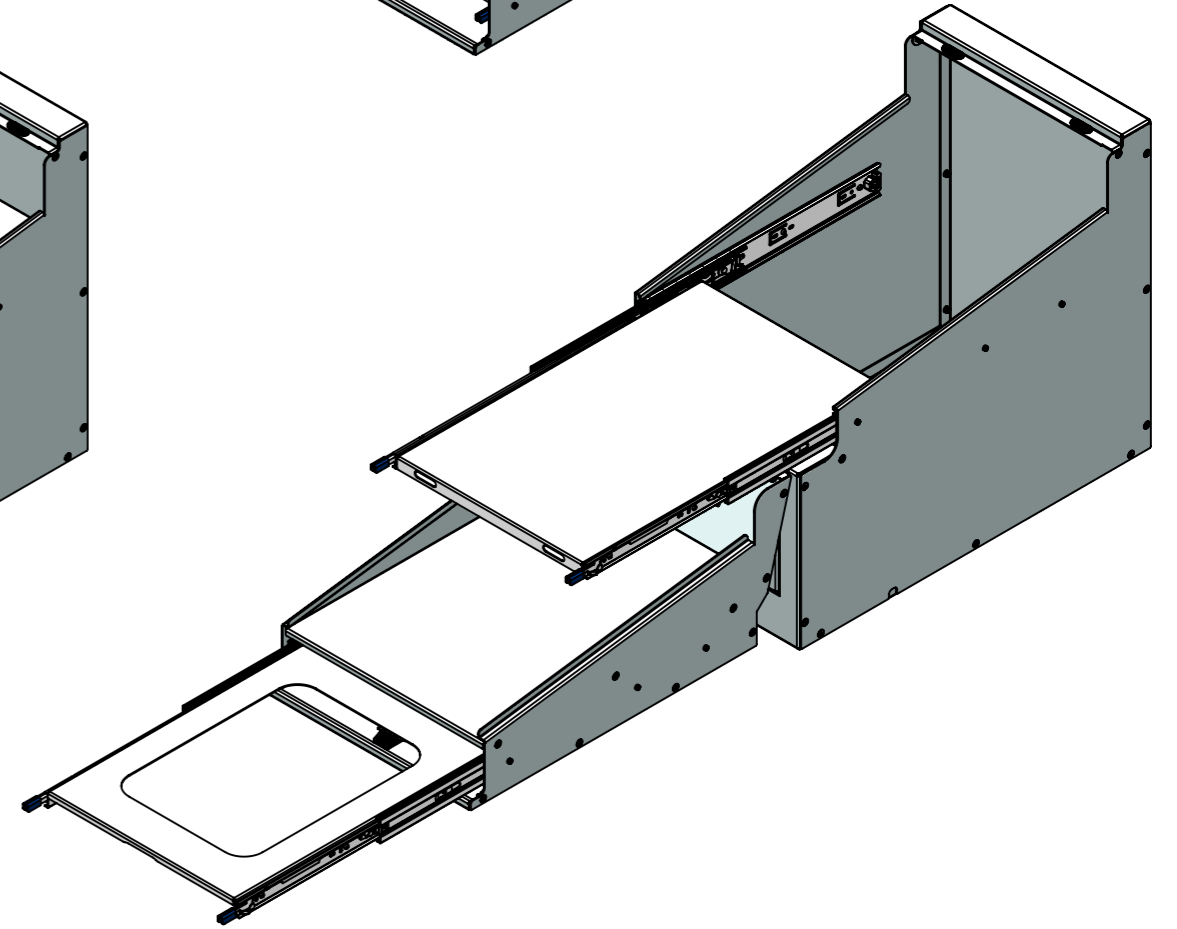
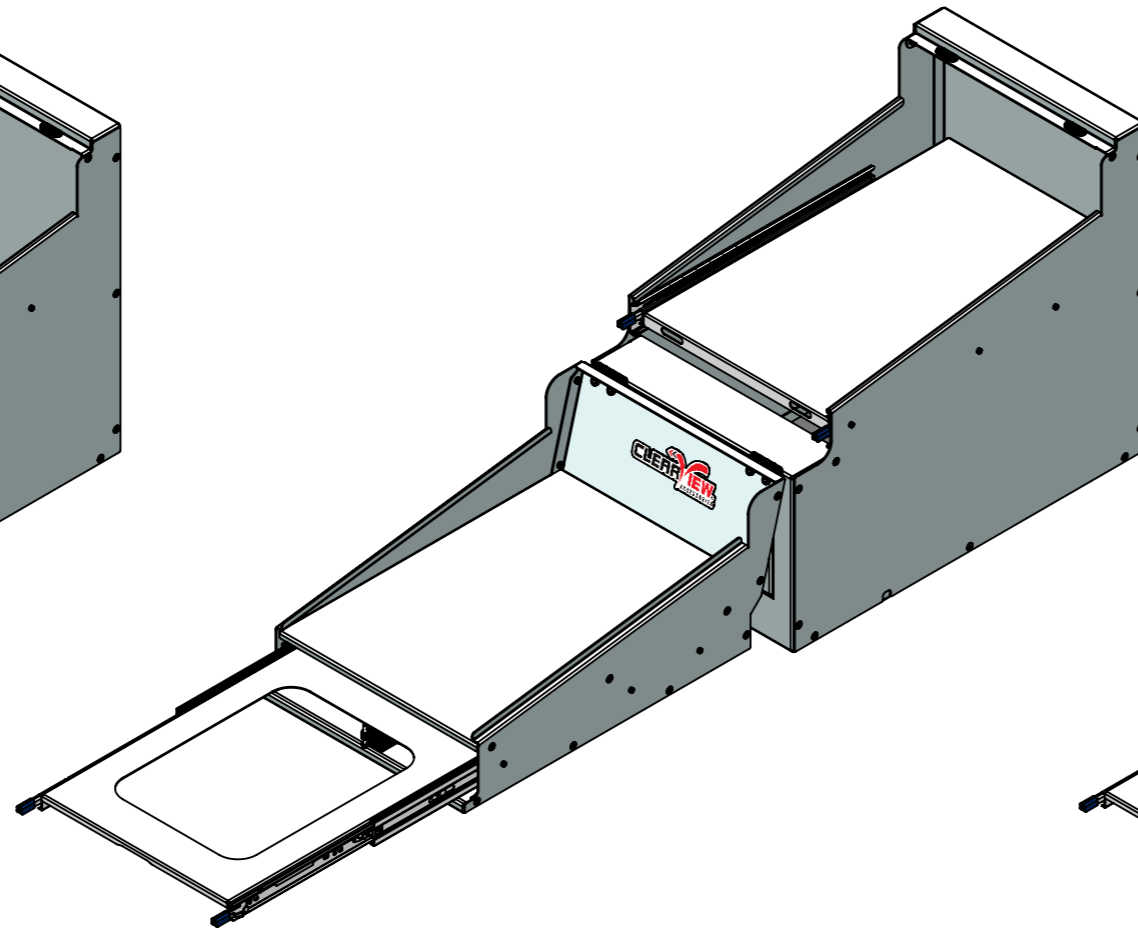
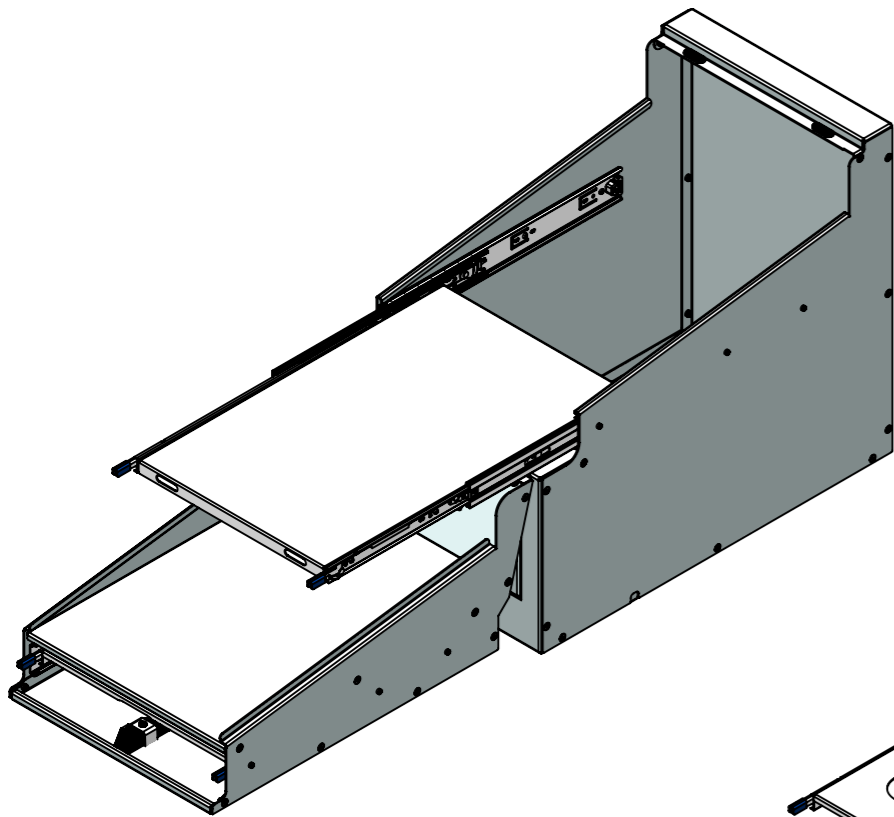
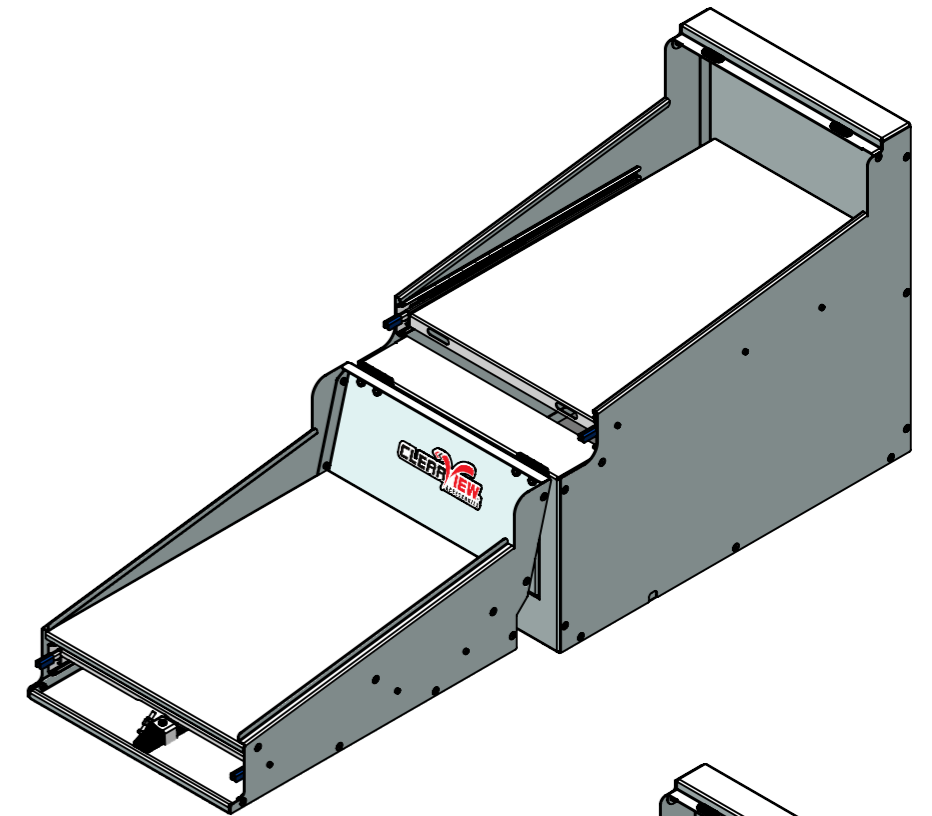
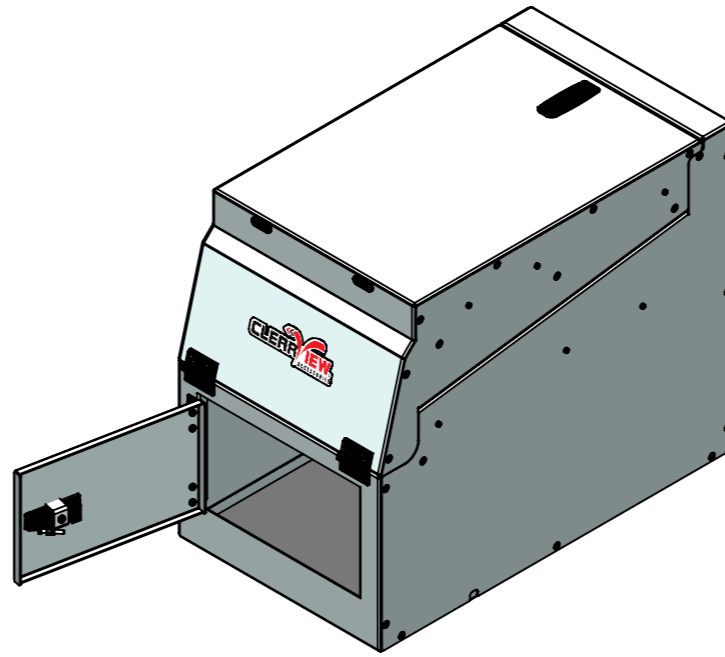
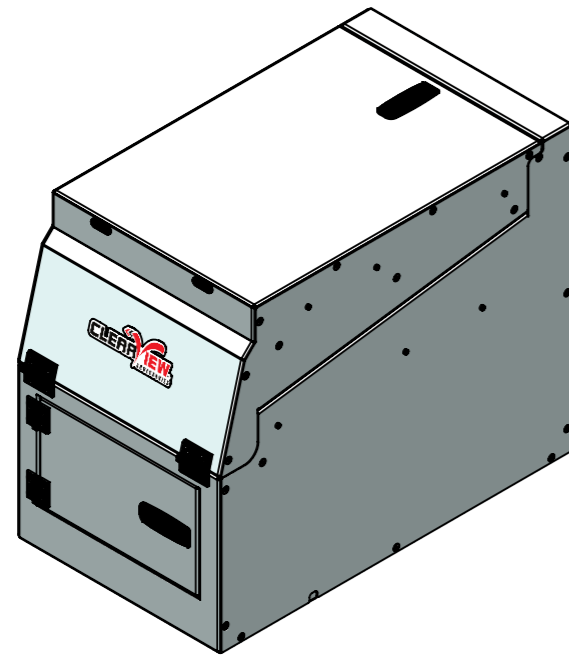
DRAWING UNCONTROLLED UNLESS STAMPED OTHERWISE

UNLESS OTHERWISE SPECIFIED: DIMENSIONS ARE IN MILLIMETRES SURFACE FINISH: TOLERANCES LINEAR: $\pm 0.15\text{mm}$ ANGULAR: $\pm 0.5^\circ$		WHERE USED: LAST SAVED: Thursday, February 15, 2018 10:35:24 AM <small>THE INFORMATION CONTAINED IN THIS DRAWING REMAINS THE SOLE PROPERTY OF CLEARVIEW TOWING MIRRORS. ANY REPRODUCTION IN PART OR AS A WHOLE WITHOUT THE PRIOR WRITTEN CONSENT OF CLEARVIEW TOWING MIRRORS IS STRICTLY PROHIBITED.</small>	CLEARVIEW TOWING MIRRORS
DESIGNED	DN Friday, May 5, 2017 10:58:01 AM	FINISH:	TITLE: Clearview Kitchen/Pantry Assembly
DRAWN	DN 15-Feb-18	MATERIAL: AS PER PARTS	DWG NO. 10-0400-9220 Drawing
CHECKED		WEIGHT (G): 18839.10	REVISION: A
APPROVED		SCALE: 1:7	
DEBUR AND BREAK SHARP EDGES	DO NOT SCALE DRAWING	FILE LOCATED: C:\Users\Cleaview\Documents\Dylan's files\Cleaview\Products\Easy Slide\Add Ons\Kitchen Box\Prototype\	SHEET 2 OF 4 A3



DRAWING UNCONTROLLED UNLESS STAMPED OTHERWISE

UNLESS OTHERWISE SPECIFIED: DIMENSIONS ARE IN MILLIMETRES SURFACE FINISH: TOLERANCES LINEAR: $\pm 0.15\text{mm}$ ANGULAR: $\pm 0.5^\circ$		WHERE USED:	CLEARVIEW TOWING MIRRORS	
DESIGNED	DN Friday, May 5, 2017 10:58:01 AM	LAST SAVED: Thursday, February 15, 2018 10:35:24 AM	TITLE: Clearview Kitchen/Pantry Assembly	
DRAWN	DN 15-Feb-18	THE INFORMATION CONTAINED IN THIS DRAWING REMAINS THE SOLE PROPERTY OF CLEARVIEW TOWING MIRRORS. ANY REPRODUCTION IN PART OR AS A WHOLE WITHOUT THE PRIOR WRITTEN CONSENT OF CLEARVIEW TOWING MIRRORS IS STRICTLY PROHIBITED.		REVISION: A
CHECKED		FINISH:	DWG NO. 10-0400-9220 Drawing	
APPROVED		MATERIAL: AS PER PARTS	SCALE: 1:7	
DEBUR AND BREAK SHARP EDGES	DO NOT SCALE DRAWING	WEIGHT (G): 18839.10	SHEET 3 OF 4	
FILE LOCATED: C:\Users\Clearview\Documents\Dylan's files\ClearView\Products\Easy Slide\Add Ons\Kitchen Box\Prototype\		A3		



DRAWING UNCONTROLLED UNLESS STAMPED OTHERWISE

UNLESS OTHERWISE SPECIFIED: DIMENSIONS ARE IN MILLIMETRES SURFACE FINISH: TOLERANCES LINEAR: $\pm 0.15\text{mm}$ ANGULAR: $\pm 0.5^\circ$		WHERE USED:	CLEARVIEW TOWING MIRRORS	
DESIGNED DN Friday, May 5, 2017 10:58:01 AM		LAST SAVED: Thursday, February 15, 2018 10:35:24 AM	TITLE: Clearview Kitchen/Pantry Assembly	
DRAWN DN 15-Feb-18		FINISH:	REVISION: A	
CHECKED		MATERIAL: AS PER PARTS	DWG NO. 10-0400-9220 Drawing	
APPROVED		WEIGHT (G): 18839.10	SCALE: 1:10	
DEBUR AND BREAK SHARP EDGES		DO NOT SCALE DRAWING	FILE LOCATED: C:\Users\Cleaview\Documents\Dylan's files\Cleaview\Products\Easy Slide\Add Ons\Kitchen Box\Prototype\	
			SHEET 4 OF 4	