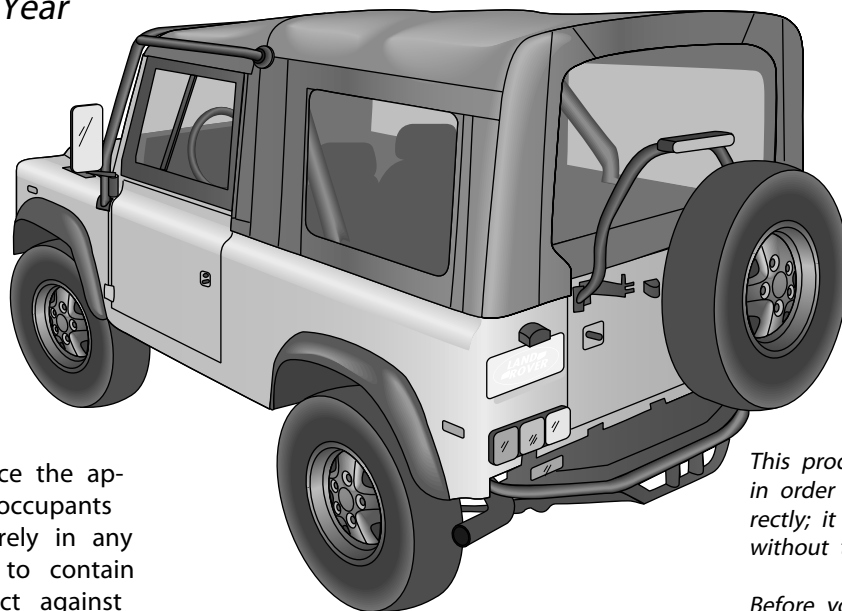


## Belt Rail Kit Installation Instructions

*For: Defender 90  
1994 Model Year*

*Part Number: 71707AM*



### WARNING

This product is designed primarily to enhance the appearance of the vehicle and to shield the occupants from ordinary weather conditions. Do not rely in any way on the components of this product to contain occupants within the vehicle, or to protect against injury or death in the event of an accident. This product will not protect the occupants from falling objects. Never operate vehicle in excess of manufacturer's specifications.

**WEAR SEAT BELTS AT ALL TIMES**

Read and follow, precisely, all installation instructions provided when installing the soft top. Failure to do so may result in a poor fitting canopy and could place occupants of the vehicle in a potentially dangerous situation.

Rev A 0610

### Installation Tips

*This product requires a D90 Safari Cage extension in order for this product to fit and function correctly; it is not intended for installation or use without the D90 Safari Cage Kit.*

*Before you begin installing this canopy assembly, read all instructions thoroughly. Below are a few tips to make this installation easier.*

#### For a smooth fit:

For ease in installation, the canopy should be installed at temperatures above 72 ° F. Below this temperature, the canopy may contract an inch or more, making it difficult to fit to the vehicle.

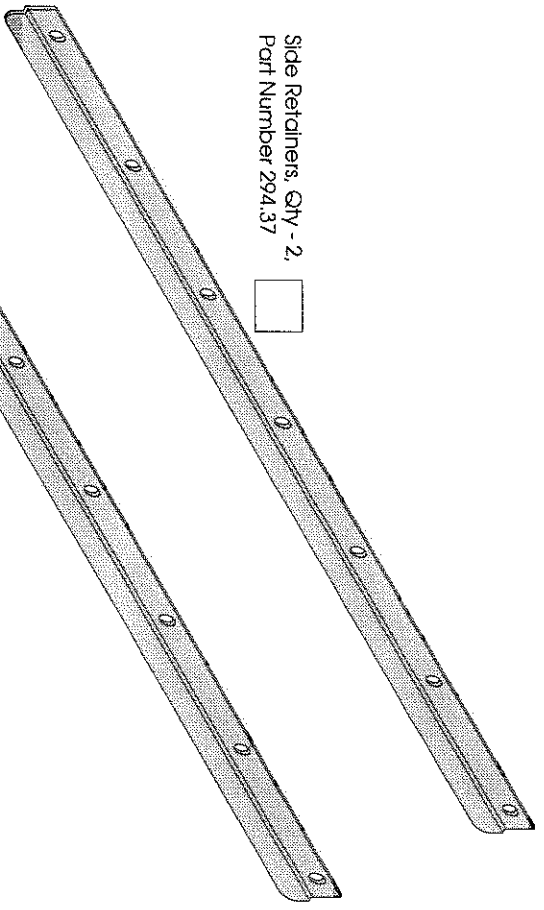
It is normal for a canopy to contract and wrinkle when stored in the shipping carton. Within a few days after the installation, the canopy will relax and the wrinkles will disappear.

# Parts List and Hardware Identification

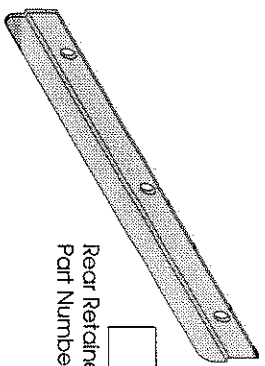
## Tools Needed

- 1/8" (3mm) Drill Bit & Drill
- Phillips Screwdriver
- Center Punch
- Hammer

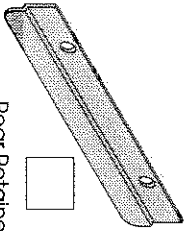
Side Retainers, Qty - 2,  
Part Number 294.37



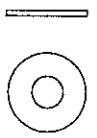
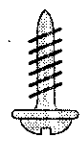
Rear Retainer - Left, Qty - 1,  
Part Number 294.33



Rear Retainer - Right, Qty - 1,  
Part Number 294.32



#8 x 1/2" Pan Head Washer Screw -  
Qty - 20, Part Number 200.48

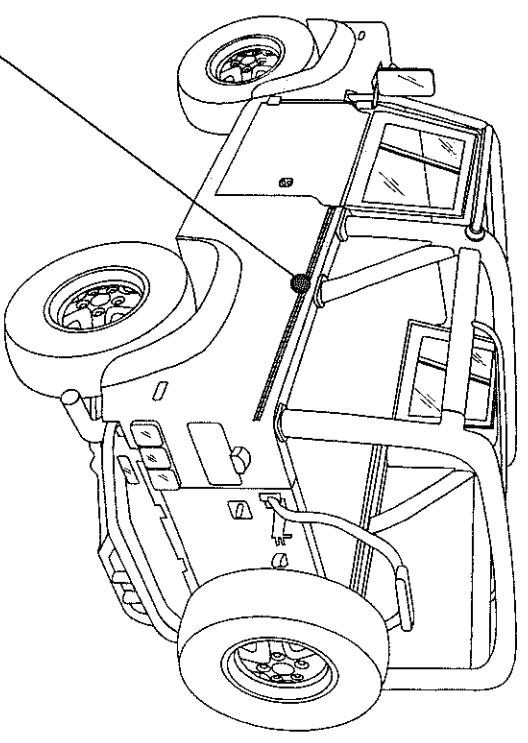
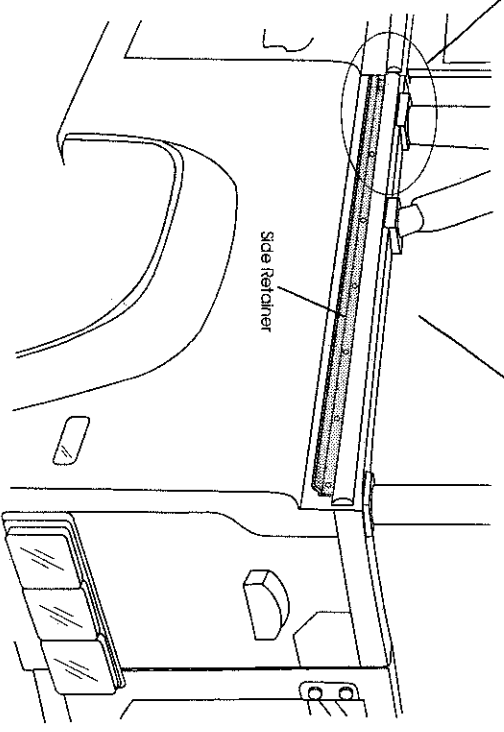
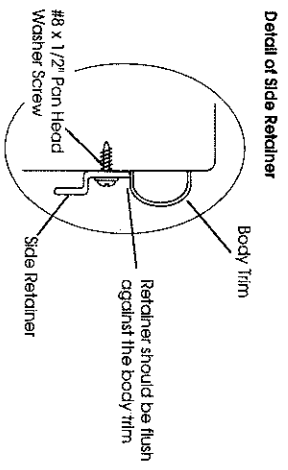
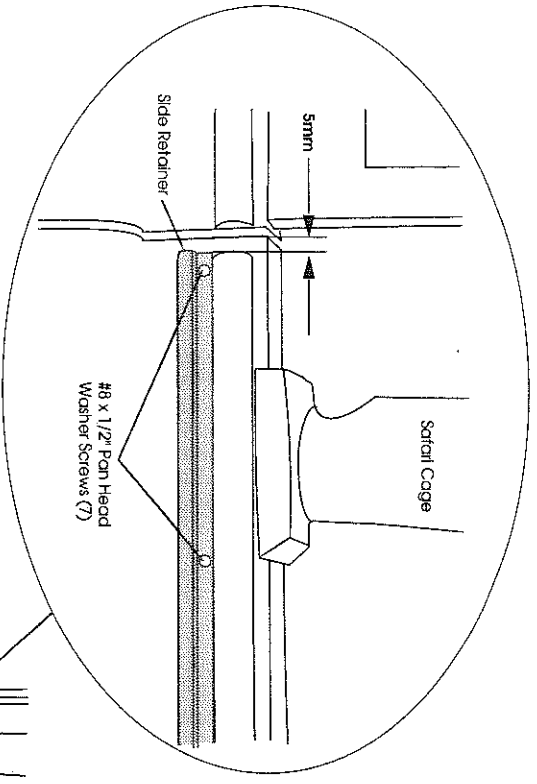


Washer Flat, Qty - 3,  
Part Number 225.93

## Step One

Before beginning the retainer installation, remove the snaps on the vehicle by drilling out the rivet in the center of the snap with a 1/8" (3mm) drill bit.

Locate the Left and Right Side Retainers in the parts kit. On each side of the vehicle, place the retainer 5mm behind the door opening and up tight against the body trim. Use the retainers to mark, center punch and drill seven 3mm (1/8") holes. Install the retainers with seven #8 x 1/2" Pan Head Washer Screws from the parts kit.

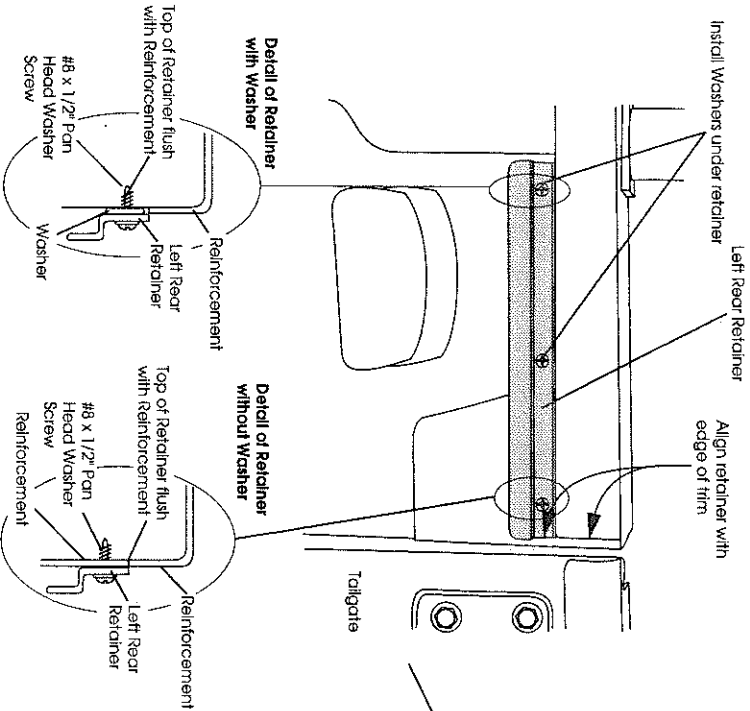


**Note:** After drilling the holes for the Side Retainers, put silicone sealer on the holes before installing the retainer.

## Step Two

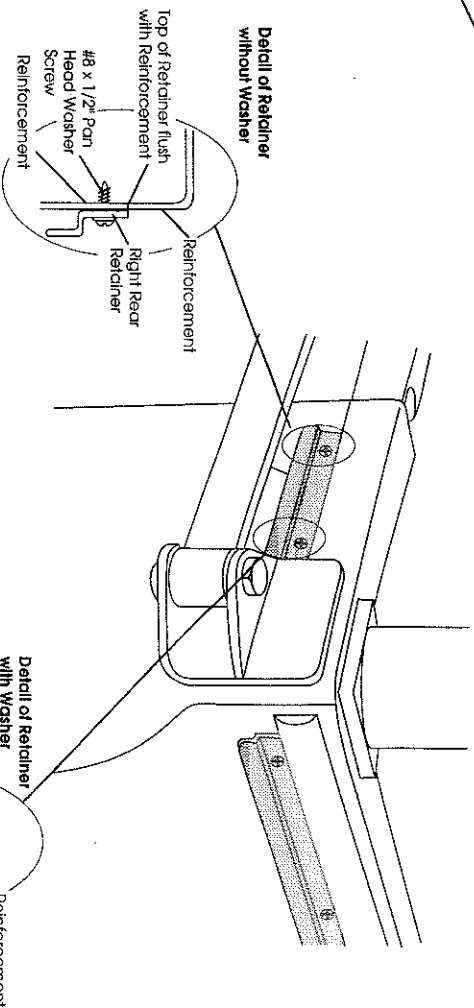
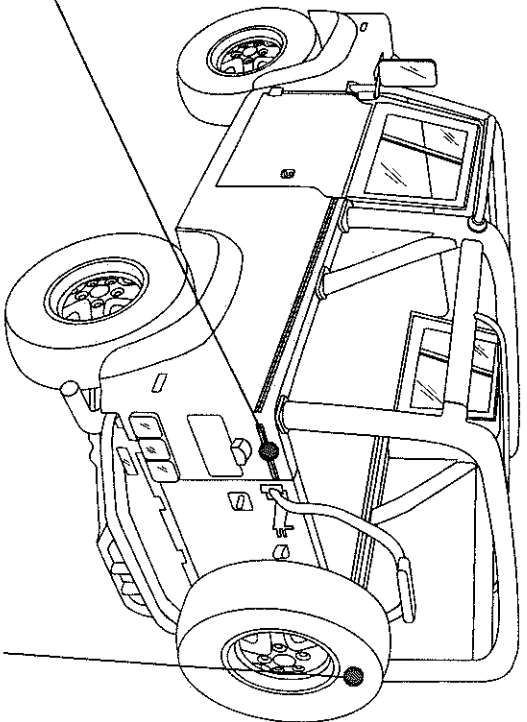
Before beginning the retainer installation, remove the snaps on the vehicle by drilling out the rivet in the center of the snap with a 1/8" (3mm) drill bit.

Locate the Right and Left Rear Retainers in the parts kit. Align the Left Rear Retainer with the edge of the reinforcement next to the tailgate opening and with the top edge flush with the bottom edge of the reinforcement along the top. Use the retainer to mark, center punch and drill three 3mm (1/8") holes. Install the retainer with three #8 x 1/2" Pan Head Washer Screws. Install two washers, from the parts kit, under the retainer at the two outside holes so that the retainer lays flat.



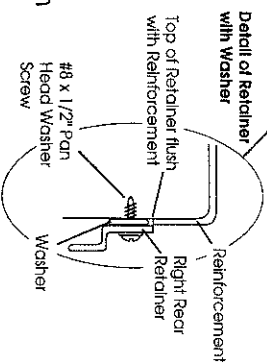
**Note:** After drilling the holes for the Rear Retainers, put silicone sealer on the holes before installing the retainer.

71707 pg 4



## Step Three

Center the Right Rear Retainer between the tire carrier and the tailgate hinges, and with the top edge flush with the bottom edge of the reinforcement along the top. Use the retainer to mark, center punch and drill two 3mm holes (1/8"). Install the retainer with two #8 x 1/2" Pan Head Washer Screws. Install a washer, from the parts kit, under the retainer at the outside hole so that the retainer lays flat.



795