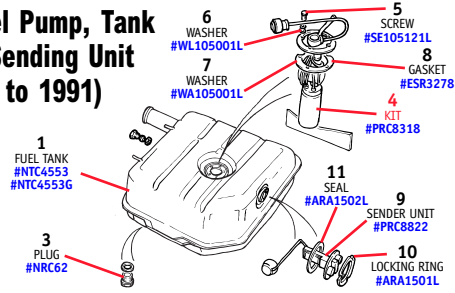


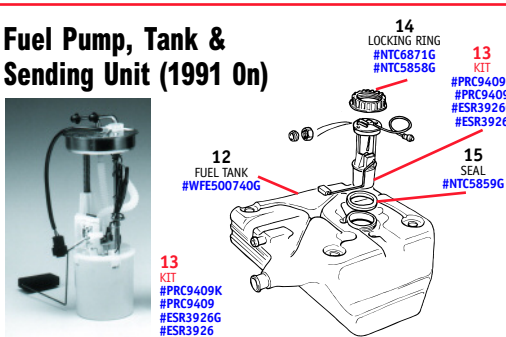
TIL No.	Part No.	Description	Qty. Rqd.
---------	----------	-------------	-----------

### Fuel Pump, Tank & Sending Unit (up to 1991)



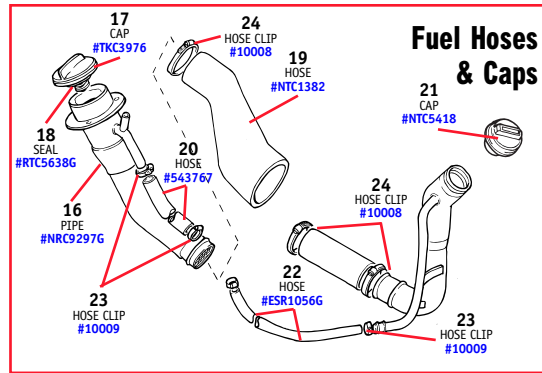
- |    |           |   |   |
|----|-----------|---|---|
| 1  | NTC4553   | FUEL TANK, steel<br>Fits '87-'90 model year                       | 1 |
|    | NTC4553G  | FUEL TANK, steel, genuine<br>Fits '87-'90 model year              | 1 |
| 2  | 9063      | <b>KIT, fuel tank gaskets</b><br>Fits '87-'90 model year          | 1 |
| 3  | NRC62     | PLUG, fuel tank drain<br>Fits '87-'90 model year                  | 1 |
| 4  | PRC8318K  | <b>KIT, fuel pump</b><br>Fits '87-'90 model year                  | 1 |
| 5  | SE105121L | SCREW, fuel pump to tank<br>Fits '87-'90 model year               | 5 |
| 6  | WL105001L | WASHER, locking<br>Fits '87-'90 model year                        | 5 |
| 7  | WA105001L | WASHER, plain<br>Fits '87-'90 model year                          | 5 |
| 8  | ESR3278   | GASKET, fuel pump to tank<br>Fits '87-'90 model year              | 1 |
| 9  | PRC8822   | SENDER UNIT, fuel level<br>Fits '87-'90 model year                | 1 |
| 10 | ARA1501L  | LOCKING RING, sender unit to fuel tank<br>Fits '87-'90 model year | 1 |
| 11 | ARA1502L  | SEAL, sender unit to fuel tank<br>Fits '87-'90 model year         | 1 |

### Fuel Pump, Tank & Sending Unit (1991 On)



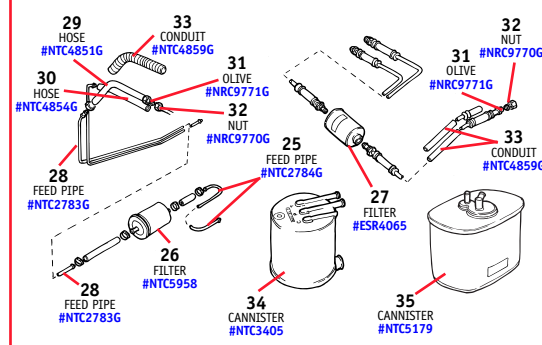
- |    |            |  |   |
|----|------------|--|---|
| 12 | WFE500740G | FUEL TANK, plastic<br>From (v) MA464554 on                             | 1 |
| 13 | PRC9409K   | <b>KIT, fuel pump and sender unit</b><br>From (v) MA464554 to SA660250 | 1 |
|    | PRC9409    | FUEL PUMP AND SENDER UNIT<br>From (v) MA464554 to SA660250             | 1 |
|    | ESR3926K   | FUEL PUMP AND SENDER UNIT, genuine<br>From (v) SA660251 on             | 1 |
|    | ESR3926    | FUEL PUMP AND SENDER UNIT<br>From (v) SA660251 on                      | 1 |
| 14 | NTC6871G   | LOCKING RING, fuel pump to tank<br>From (v) MA464554 to (v) NA models  | 1 |
|    | NTC5858G   | LOCKING RING, fuel pump to tank<br>From (v) PA models on               | 1 |
| 15 | NTC5859G   | SEAL, fuel pump to tank<br>From (v) MA464554 on                        | 1 |

TIL No.	Part No.	Description	Qty. Rqd.
---------	----------	-------------	-----------



- |    |          |   |     |
|----|----------|---|-----|
| 16 | NRC9297G | PIPE, fuel filler<br>Fits '87-'90 model year        | 1   |
| 17 | TKC3976  | CAP, fuel filler<br>Fits '87-'90 model year         | 1   |
| 18 | RTC5638G | SEAL, fuel filler cap<br>Fits '87-'90 model year    | 1   |
| 19 | NTC1382  | HOSE, fuel filler<br>Fits '87-'90 model year        | 1   |
| 20 | 543767   | HOSE, fuel tank breather<br>Fits '87-'90 model year | 1   |
| 21 | NTC5418  | CAP, fuel filler<br>From (v) MA464554 on            | 1   |
| 22 | ESR1056G | HOSE, fuel tank breather<br>From (v) MA464554 on    | 1   |
| 23 | 10009    | HOSE CLIP, 1/2 inch dia., stainless steel           | A/R |
| 24 | 10008    | HOSE CLIP, 3 inch dia., stainless steel             | A/R |

### Fuel Filters/Charcoal Cannisters



- |    |          |   |   |
|----|----------|---|---|
| 25 | NTC2784G | FEED PIPE, tank to filter<br>Fits '87-'90 model year      | 1 |
| 26 | NTC5958  | FILTER, fuel, push fit<br>Fits '87-'90 model year         | 1 |
| 27 | ESR4065  | FILTER, fuel, threaded                                    | 1 |
| 28 | NTC2783G | FEED PIPE, fuel<br>Fits '87-'90 model year                | 1 |
| 29 | NTC4851G | HOSE, feed pipe to fuel rail<br>Fits '87-'90 model year   | 1 |
| 30 | NTC4854G | HOSE, fuel rail to return pipe<br>Fits '87-'90 model year | 1 |
| 31 | NRC9771  | OLIVE, pipe union   | 3 |
| 32 | NRC9770  | NUT, pipe union   | 3 |
| 33 | NTC4859G | CONDUIT, fuel pipes                                       | 2 |
| 34 | NTC3405  | CANNISTER, charcoal<br>(e) 31D engines                    | 1 |
| 35 | NTC5179  | CANNISTER, charcoal<br>(e) 38D engines                    | 1 |

## FUEL SYSTEM

### REMARKS LEGEND -

Engine (e) numbers:

31D = 3.5 liter; 38D = 3.9 liter through 1992.

Vehicle i.d. (v) numbers:

LA = 1990 model year; MA = 1991 model year;

NA = 1992 model year; PA = 1993 model year;

SA = 1995 model year.

### MONEY-SAVING KITS NOTED IN RED TYPE



2  
FUEL TANK GASKET KIT  
#9063



### Fuel Filters

Replace your fuel filter every 30,000 miles.

Fuel Filter - approx. 2" in diameter Threaded - '91 on (ESR4065)

Fuel Filter - approx. 3" in diameter - '87-'90 (NTC5958)

Fuel Filter - '91 on Genuine (STC1677G)

### TECH TIP: Fuel Filters



When ordering a replacement fuel filter, be sure to check the size to get the correct one. Many '87-'90 Range Rovers have been retrofitted with the smaller, threaded ESR4065, approx. 2" in diameter. The original NTC5958 is quite a bit larger, approx. 3" in diameter and has hose clamp fittings.